



GSA prices effective April 2, 2018
(based on February 6, 2017, commercial price list)
Published November 2018

Laboratory Furniture Compass™ System

General Services Administration Federal Supply Service Authorized Federal Supply Schedule Price List

Online access to contract ordering information, terms and conditions, up-to-date pricing, and the option to create an electronic delivery order is available through GSA Advantage!, a menu-driven database system. The Internet address for GSA Advantage! is www.gsaadvantage.gov. For more information on ordering from Federal Supply Schedules, click on the FSS Schedules button at www.fss.gsa.gov.

FSC Group 66, Part II, Section N
FSC Classes 66 40
Contract Number: GS-07F-5623R
Contract Period: February 1, 2015, through January 31, 2020

Herman Miller, Inc.
855 East Main Avenue
Zeeland, Michigan 49464
(616) 654 3000 Phone
(616) 654 8278 Fax
www.HermanMiller.com/government

Business Size: Large

Contract Information

1a. Special Item Numbers (SIN)

566-1: Modular Laboratory Furniture Systems, all product except non-modular Laboratory Tables.

1b. Lowest Price Model:

TW113 \$7.00

1c. Not applicable.

2. Maximum Order. \$400,000 net product value.

3. Minimum Order. \$50 net.

4. Geographic Coverage. 48 contiguous states and District of Columbia. Other geographic locations see box below.

5. Production Points. Zeeland, Michigan, County of Ottawa.

6. Pricing. Prices shown are list. To calculate contract prices, deduct 58.5%.

7. Quantity Discounts. Reference item #6.

8. Payment Terms. Net 30 days.

9a. Government Purchase Cards. ARE accepted below the micropurchase threshold.

9b. Government Purchase Cards. ARE accepted above the micropurchase threshold.

10. Foreign Items. Not applicable.

11a. Time of Delivery. 56 days ARO.

11b. Expedited Delivery. Select items may be available for expedited delivery. Contact Herman Miller, Inc., or local authorized dealer for availability.

11c. Overnight and 2-Day Delivery. Select items may be available for overnight or 2-day delivery. Contact Herman Miller, Inc., or local authorized dealer for availability.

11d. Urgent Requirements. Select items may be available for urgent delivery. Contact Herman Miller, Inc., or local authorized dealer for availability.

12. F.O.B. Point. Destination within the 48 contiguous states and Dist. of Columbia.

13a. Order Address. Herman Miller, Inc., Government Customer Care 0161, 855 East Main Avenue, Zeeland, MI 49464.

13b. Order Procedures. For supplies and services, the ordering procedures, information on Blanket Purchase Agreements(BPA's), and a sample BPA can be found at the GSA/FSS Schedule home page (www.fss.gsa.gov/schedules).

14. Payment Address. Herman Miller, Inc., 22764 Network Place, Chicago, IL 60673-1227.

15. Warranty Provisions. Herman Miller, Inc., commercial warranty applies.

16. Export Packing Charges. Prices supplied on request.

17. Terms and Conditions of Government Commercial Credit Card Acceptance. None.

18. Terms and Conditions of Rental, Maintenance, and Repair. Not applicable.

19. Terms and Conditions of Installation. Installation services shall be negotiated between ordering agency and Herman Miller local authorized dealer.

20. Terms and Conditions of Repair Parts. Not applicable.

20a. Terms and Conditions for Any Other Services. Services shall be negotiated between ordering agency and Herman Miller local authorized dealer.

21. List of Service and Distribution Points. Access Herman Miller web site for current list of participating dealers: www.HermanMiller.com.

22. List of Participating Dealers. Access Herman Miller web site for current list of participating dealers: www.HermanMiller.com.

23. Preventive Maintenance. Not applicable.

24. Special Attributes. Reconfigurable, renewable.

25. DUNS Number. 006012801

26. Registered in Central Contractor Registration (CCR) Database. "Herman Miller, Inc."

Herman Miller Miscellaneous Information:

Federal ID Number: 38-0837640

Commercial and Government Entity Code (CAGE): 40636

Introduction	page 2
Compass™ System	3
Walls	5
Surfaces	44
Storage	63
Close-Outs	92
Transport	98
Rails and Accessories	100
Indices	119
By Name	119
By Number	121
Appendices	
20-Day or Less/Assigned Lead-Time Order Information - Healthcare	
For the latest materials information, refer to the Materials pages on HermanMiller.com.	

Introduction

A Note on the Organization of This Book

There are a few signals that will help you understand the organization of this book. Once you know them, you should be able to find your way around easily.

Like a newspaper, this book is formatted with columns of text and illustrations that run vertically.

Information wraps from one column to the next and continues for as many pages as it needs to.

Black bars are clues.

A black bar at the top of a page signals the start of information about a product.

This information is divided into two sections, each signaled by a black bar. Product Information includes a description, additional notes, and dimensional drawings. Specification Information, which always begins at the top of a column, includes a series of steps. Each step represents a decision you need to make in order to complete your product number. Steps must be followed sequentially. The number of pages needed to complete information on a product varies; some will be complete in one page; others may fill three or four pages. Just continue going through the steps until you run into the next product, signaled by the black bar at the top of the page.

Black tabs running along the outside edge of the page help you locate what section you are in or what section you want to go to. You can thumb forwards or backwards to find a section; tabs and text appear on both sides of the page.

The additional pages in the back of the book include the appendices and indices. They are signaled by a long black bar running along the outside edge of the page.

The index is presented two ways.

The first index is in alphabetical order by product name. It can be helpful if you are new to the products and numbering scheme or if you are looking for a type of product, such as work chair or round table.

The second index is by product number. It lists, in alphanumeric order, the base product number, typically a five-digit number.

General Information

This book is effective April 2, 2018, subject to change without notice. Products may be purchased from authorized Herman Miller dealers who will quote prices upon request. For more information about our products and services or to see a list of dealers, visit www.HermanMiller.com.


All prices are list prices. Additional services, such as planning services, design, storage, and installation, are not included and must be added to these prices when the additional services are requested.


Illustrations, specifications, and prices are based on the latest information at the time of publication. The right is reserved to make changes at any time without notice in prices, fabrics, finishes, materials, specifications, and models, and also to discontinue models and finishes.

Dimensions shown in the drawings are engineering drawing dimensions rounded up to the nearest $\frac{1}{8}$ ". Product is shipped set up or knocked down. Products that include "Shipped knocked down" in the description require some assembly. If this statement does not appear in the description, the product is shipped assembled.

Service problems are normally handled by a Herman Miller authorized dealer. Where this cannot be accomplished on a local level, service problems should be referred to the Customer Care Representative for your region, Herman Miller, Inc., Zeeland, Michigan 49464.

20-Day or Less/Assigned Lead-Time Shipments

All products and options in this price book not designated by an Assigned Program icon  will ship in **20 business days or less** after being acknowledged by Herman Miller.

Products and options designated by an  are on the assigned lead-time program and may ship in 20 days, less than 20 days, or more than 20 days from order acknowledgement.

Walls

Surfaces

Storage

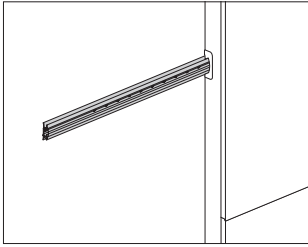
Close-Outs

Transport

Rails and Accessories

Wall Rail

TW100.



Product Information

Description

This rail attaches to an architectural wall to support stiles for attaching tiles and components. The rail does not require attaching to wall studs; it attaches directly to finished 5/8" thick or thicker drywall using wall anchors specified separately. Finish is anodized aluminum.

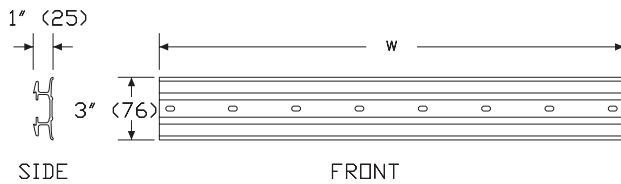
Notes

Specify wall anchors (TW109.) separately.

Specify optional products separately:

- Wall Rail End Cap (TW104.)
- Wall Rail Insert (TW102.)

Dimensions



Specification Information

Step 1.

TW100.

Step 2. Width

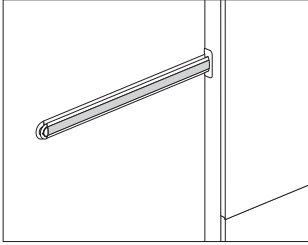
18	18" wide
24	24" wide
30	30" wide
36	36" wide
42	42" wide
48	48" wide
54	54" wide
60	60" wide
66	66" wide
72	72" wide
78	78" wide
84	84" wide
96	96" wide

Prices for Steps 1-2.

TW100. 18	\$35
24	\$43
30	\$51
36	\$60
42	\$69
48	\$76
54	\$85
60	\$94
66	\$102
72	\$107
78	\$115
84	\$124
96	\$141

Wall Rail Insert

TW102.

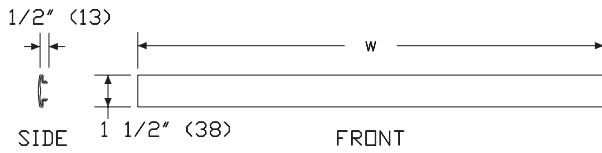


Compass™ Walls

Product Information

Description
 This individual insert fits into a wall rail to finish the front and conceal the mounting screws. The insert can be cut to length in the field. Finish is cool grey neutral.

Dimensions



Specification Information

Step 1.

TW102.

Step 2. Width

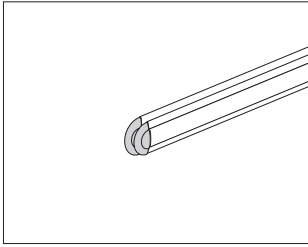
48	48" wide
96	96" wide

Prices for Steps 1-2.

TW102.48	\$26
96	\$39

Wall Rail End Cap

TW104.

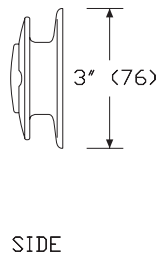
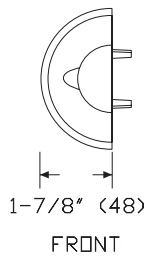
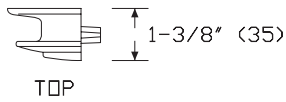


Product Information

Description

This end cap attaches to a wall rail to finish the end when the rail is exposed. It has a metallic silver plate with a cool grey neutral cover. Package of 2.

Dimensions



Specification Information

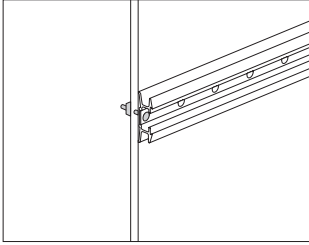
Step 1.

TW104.

\$120

Wall Anchors

TW109.



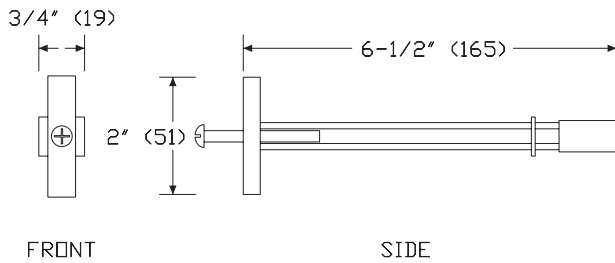
Compass™ Walls

Product Information

Description

These anchors attach a wall rail to an architectural wall. Anchors are required every 6" along the entire length of the wall rail, and allow the rail to attach to 5/8"-thick or thicker drywall, without having to attach to wall studs. Package of 100.

Dimensions



Specification Information

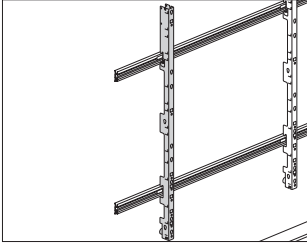
Step 1.

TW109.

\$221

Stile, Rail-Attached

TW110.



Product Information

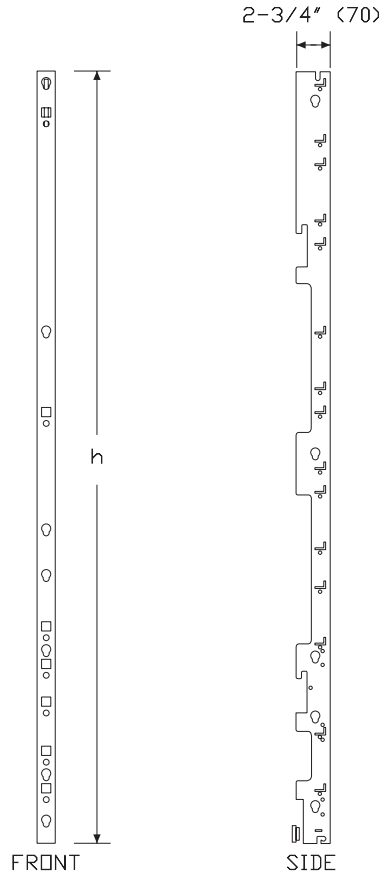
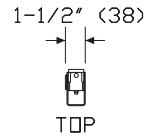
Description

This individual stile mounts on wall rails. 2 stiles are required for attaching tiles and components, creating a module. Multiple modules can be placed on the wall rails to finish a wall. The stile has cutouts for routing cables and conduit, and includes anti-dislodgement clips.

Notes

- Specify stile connector kit (TW113.) separately to minimize gaps between adjacent tiles and components.
- Specify 64"-high stiles for mounting on 2 wall rails to create a full-height module.
- Specify 24"-high stiles for mounting on 1 wall rail to create a lower module.

Dimensions



Specification Information

Step 1.

TW110.

Step 2. Height

24 24" high

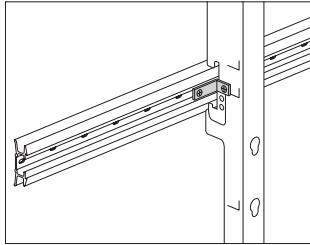
64 64" high

Prices for Steps 1-2.

TW110.24	\$59
64	\$67

Stile Lockdown

TW112.

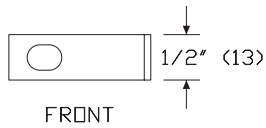
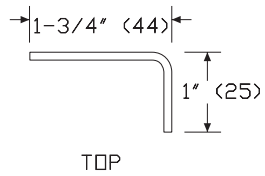


Product Information

Description

This hardware locks a stile in place on the wall rail(s) to eliminate movement. 1 lockdown is required per wall application.

Dimensions



Specification Information

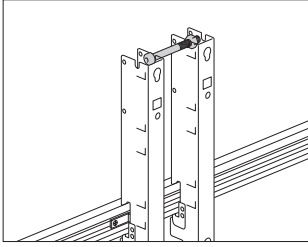
Step 1.

TW112.

\$16

Stile Connector Kit

TW113.

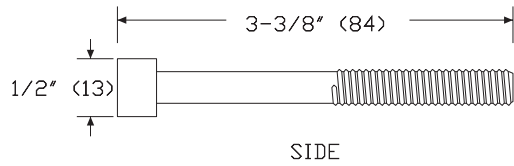


Compass™ Walls

Product Information

Description
This kit connects 2 adjacent stiles at the top and bottom to provide alignment and minimize gaps when tiles and components are attached.
Package of 2.

Dimensions

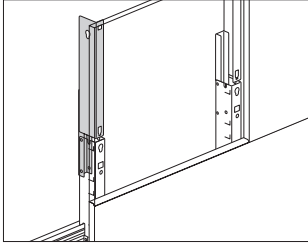


Specification Information

Step 1.
TW113. \$7

Stile, Chase Tile

TW114.



Product Information

Description

This individual stile attaches to the top of a rail-attached stile. 2 stiles are required for attaching a chase tile. Attachment hardware included.

Notes

Specify chase tile (TW182.) separately.

Dimensions

Specification Information

Step 1.

TW114.

Step 2. Type

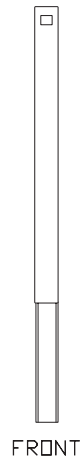
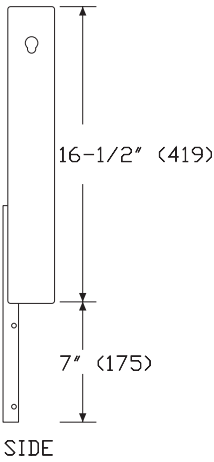
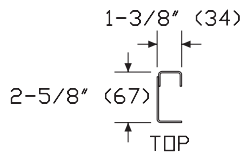
L left

R right

Prices for Steps 1-2.

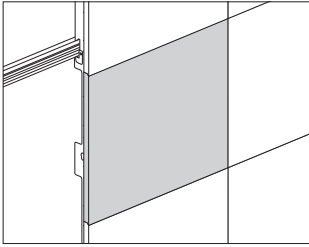
TW114.L	\$78
R	\$78

Compass™ Walls



Face Tile

TW120.



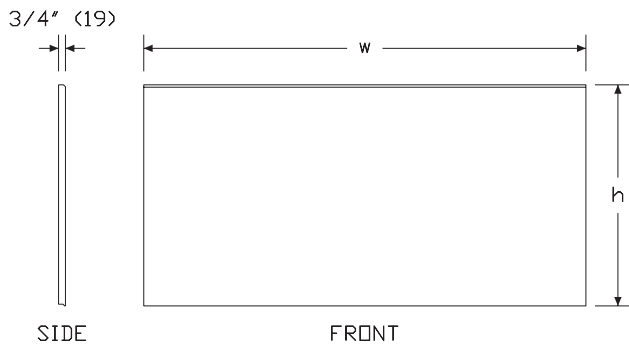
Compass™ Walls

Product Information

Description

This tile attaches to 2 rail-attached stiles to provide a finished cover and is available in 3D laminate or Corian®. Durawrap™ 3D laminate is a 99.9% PVC-free material. The top and bottom edges are ship lapped (shingled); creating a flush joint between tiles that prevents liquids from seeping back.

Dimensions



Specification Information

Step 1.

TW120.

Step 2. Height

- 20** 20" high
- 24** 24" high
- 40** 40" high

Step 3. Width

- 12** 12" wide
- 18** 18" wide
- 24** 24" wide
- 30** 30" wide
- 36** 36" wide
- 42** 42" wide
- 48** 48" wide

Step 4. Surface Material

For 20" high (20) or 24" high (24)

- A** durawrap™ 3D laminate
- K** corian
- P** 3D laminate A

For 40" high (40)

- A** durawrap™ 3D laminate
- P** 3D laminate A

Prices for Steps 1-4.

		A	K	P
TW120.20	12	\$150	400	138
	18	\$159	468	146
	24	\$168	555	154
	30	\$190	757	174
	36	\$214	839	195
	42	\$247	915	226
	48	\$282	993	257
	24	\$162	483	148
	18	\$173	568	159
	24	\$184	653	169
	30	\$201	782	185
	36	\$219	911	199
	42	\$253	1008	233
	48	\$288	1105	263

Face Tile *continued*

40 12	\$242	—	222
18	\$262	—	240
24	\$282	—	257
30	\$321	—	294
36	\$361	—	330
42	\$394	—	359
48	\$425	—	387

Step 5. Surface Finish

Solid-Color

For durawrap™ 3D laminate (A)

91	white		+\$0
LU	soft white		+\$0

Wood-Grain

For durawrap™ 3D laminate (A)

76	light brown walnut		+\$10
HX	aged cherry		+\$10
HM	natural maple		+\$10
PX	Nemschoff light cherry		+\$10
OG	honey maple		+\$10

For corian (K)

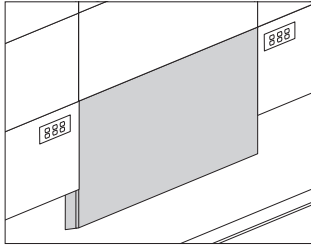
1N	canyon		+\$50
CQ	glacier white		+\$0
QB	bisque		+\$0
1E	flint		+\$120
1S	savannah		+\$50
1U	sahara		+\$50
3I	mojave		+\$50
4I	sandstone		+\$50
58	cameo white		+\$0
IQ	aurora		+\$50
OQ	silt		+\$50
Q1	vanilla		+\$0
7I	raffia		+\$120
BLP	blue pebble		+\$120

For 3D laminate (P)

120	light maple woodgrain 3D laminate A		+\$0
121	golden maple woodgrain 3D laminate A		+\$0
122	brown walnut woodgrain 3D laminate A		+\$0
123	chocolate walnut woodgrain 3D laminate A		+\$0
124	warm cherry woodgrain 3D laminate A		+\$0
125	light teak woodgrain 3D laminate A		+\$10
126	basic white 3D laminate A		+\$0

Bed Tile

TW122.



Compass™ Walls

Product Information

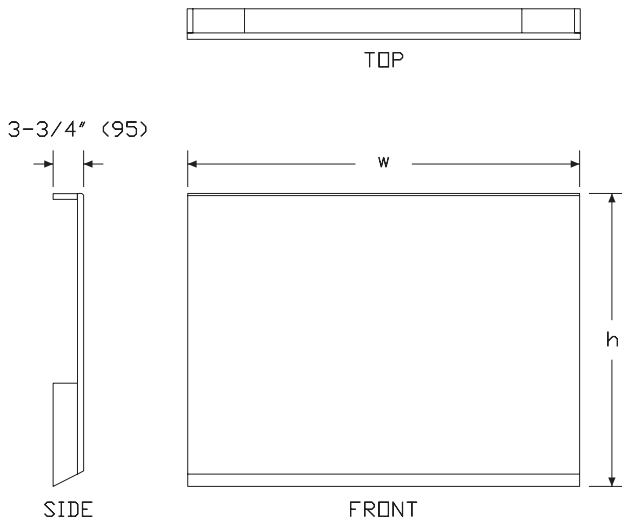
Description

This tile attaches to 2 rail-attached stiles to provide a finished cover and has a durawrap surface. It protects the architectural wall from being damaged due to contact with a bed. The top edge is ship lapped (shingled); creating a flush joint between tiles that prevents liquids from seeping back. Side close-outs and a wall saver to protect the architectural wall behind the tile are included.

Notes

Bottom close-out finish always in soft white (LU).

Dimensions



Specification Information

Step 1.

TW122. [A]

Step 2. Height

36 36" high [A]
39 39" high [A]

Step 3. Width

36 36" wide
48 48" wide

Step 4. Surface Material

A durawrap™ 3D laminate
P 3D laminate [A]

Prices for Steps 1-4.

		A	P
TW122.36	36	\$575	477
	48	\$608	554
	39	\$662	592
	48	\$699	645

Step 5. Close-Out Finish

91 white +\$0
LU soft white +\$0

Step 6. Surface Finish

Solid-Color

For durawrap™ 3D laminate (A)

91 white +\$0
LU soft white +\$0

Wood-Grain

For durawrap™ 3D laminate (A)

76 light brown walnut +\$10
HX aged cherry +\$10
HM natural maple +\$10
PX Nemschoff light cherry +\$10
OG honey maple +\$10

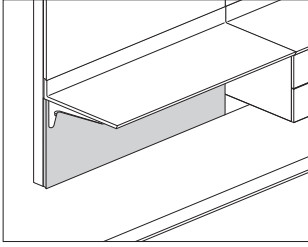
Bed Tile *continued*

For 3D laminate (P)

120	light maple woodgrain 3D laminate <input type="checkbox"/>	+\$0
121	golden maple woodgrain 3D laminate <input type="checkbox"/>	+\$0
122	brown walnut woodgrain 3D laminate <input type="checkbox"/>	+\$0
123	chocolate walnut woodgrain 3D laminate <input type="checkbox"/>	+\$0
124	warm cherry woodgrain 3D laminate <input type="checkbox"/>	+\$0
125	light teak woodgrain 3D laminate <input type="checkbox"/>	+\$10
126	basic white 3D laminate <input type="checkbox"/>	+\$0

Work Surface Tile

TW124.



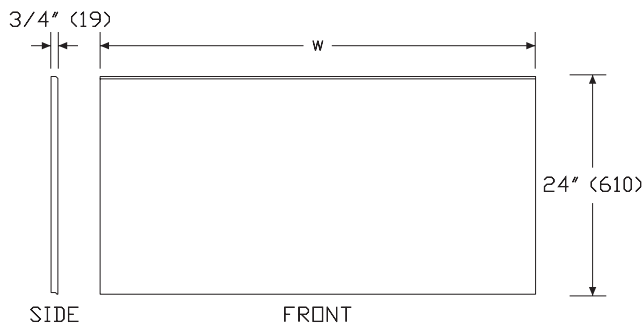
Compass™ Walls

Product Information

Description

This tile attaches to 2 rail-attached stiles to provide mounting of a work surface and has a 3D laminate surface. Durawrap™ 3D laminate is a 99.9% PVC-free material. It has partially-drilled holes in the back for seated-height and standing-height surfaces. The top and bottom edges are ship lapped (shingled); creating a flush joint between tiles that prevents liquids from seeping back.

Dimensions



Specification Information

Step 1.

TW124.

Step 2. Width

- 12** 12" wide
- 18** 18" wide
- 24** 24" wide
- 30** 30" wide
- 36** 36" wide
- 42** 42" wide
- 48** 48" wide

Step 3. Work Surface Type

- AW** seated height with backsplash
- BW** standing height with backsplash
- CN** standing or seated height, no backsplash

Step 4. Surface Material

- A** durawrap™ 3D laminate
- P** 3D laminate A

Prices for Steps 1-4.

	A	P
TW124. 12 AW	\$120	109
BW	\$197	181
CN	\$244	222
18 AW	\$121	110
BW	\$195	179
CN	\$240	220
24 AW	\$133	123
BW	\$212	194
CN	\$260	239
30 AW	\$161	149
BW	\$226	206
CN	\$293	268
36 AW	\$190	174
BW	\$240	219
CN	\$327	299
42 AW	\$194	178
BW	\$239	219
CN	\$324	297
48 AW	\$218	200
BW	\$261	240
CN	\$355	325

Work Surface Tile *continued*

Step 5. Surface Finish

Solid-Color

For durawrap™ 3D laminate (A)

91	white	+\$0
LU	soft white	+\$0

Wood-Grain

For durawrap™ 3D laminate (A)

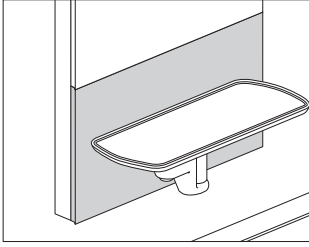
76	light brown walnut	+\$10
HX	aged cherry	+\$10
HM	natural maple	+\$10
PX	Nemschoff light cherry	+\$10
OG	honey maple	+\$10

For 3D laminate (P)

120	light maple woodgrain 3D laminate <input type="checkbox"/>	+\$0
121	golden maple woodgrain 3D laminate <input type="checkbox"/>	+\$0
122	brown walnut woodgrain 3D laminate <input type="checkbox"/>	+\$0
123	chocolate walnut woodgrain 3D laminate <input type="checkbox"/>	+\$0
124	warm cherry woodgrain 3D laminate <input type="checkbox"/>	+\$0
125	light teak woodgrain 3D laminate <input type="checkbox"/>	+\$10
126	basic white 3D laminate <input type="checkbox"/>	+\$0

Rotating Work Surface Tile

TW126.



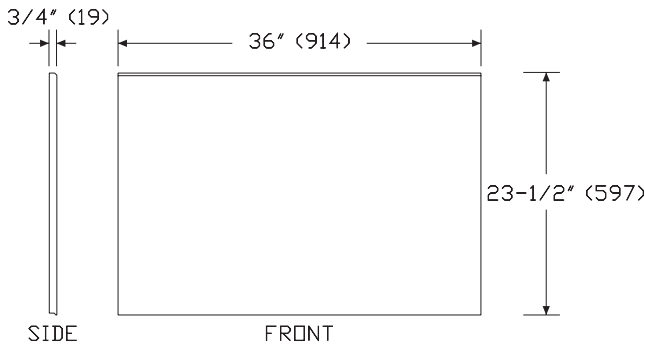
Compass™ Walls

Product Information

Description

This tile attaches to 2 rail-attached stiles to provide mounting of a rotating work surface. It has a durawrap finish.

Dimensions



Specification Information

Step 1.

TW126.2436

Step 2. Surface Material

- A** durawrap™ 3D laminate
- P** 3D laminate A

Prices for Steps 1-2.

TW126.2436 A	\$228
P	\$208

Step 3. Surface Finish

Solid-Color

For durawrap™ 3D laminate (A)

91	white	+\$0
LU	soft white	+\$0

Wood-Grain

For durawrap™ 3D laminate (A)

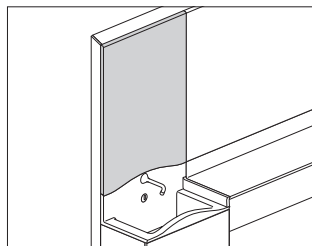
76	light brown walnut	+\$15
HX	aged cherry	+\$15
HM	natural maple	+\$15
PX	Nemschoff light cherry	+\$15
OG	honey maple	+\$15

For 3D laminate (P)

120	light maple woodgrain 3D laminate A	+\$0
121	golden maple woodgrain 3D laminate A	+\$0
122	brown walnut woodgrain 3D laminate A	+\$0
123	chocolate walnut woodgrain 3D laminate A	+\$0
124	warm cherry woodgrain 3D laminate A	+\$0
125	light teak woodgrain 3D laminate A	+\$15
126	basic white 3D laminate A	+\$0

Above-Sink Tile

TW128.

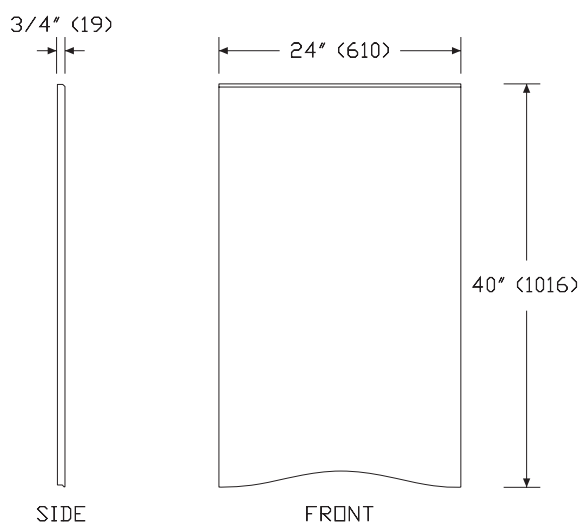


Product Information

Description

This tile attaches to 2 rail-attached stiles to finish the area above a 13"-deep sink. The bottom of the tile is contoured to match the backsplash of the sink. It is available in 3D laminate or Corian®. Durawrap™ 3D laminate is a 99.9% PVC-free material. The top and bottom edges are ship lapped (shingled); creating a flush joint between tiles that prevents liquids from seeping through.

Dimensions



Specification Information

Step 1.

TW128.

Step 2. Height

20 20" high

40 40" high

Step 3. Surface Material

For 20" high (20)

A durawrap™ 3D laminate

K corian

P 3D laminate A

For 40" high (40)

A durawrap™ 3D laminate

P 3D laminate A

Prices for Steps 1-3.

	A	K	P
TW128. 20	\$156	576	143
40	\$276	—	252

Step 4. Surface Finish

Solid-Color

For durawrap™ 3D laminate (A)

91 white +\$0

LU soft white +\$0

Wood-Grain

For durawrap™ 3D laminate (A)

76 light brown walnut +\$10

HX aged cherry +\$10

HM natural maple +\$10

PX Nemschoff light cherry +\$10

OG honey maple +\$10

Above-Sink Tile *continued*

Compass™ Walls

For corian (K)

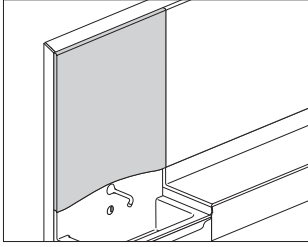
1N	canyon	+\$50
CQ	glacier white	+\$0
QB	bisque	+\$0
1E	flint	+\$120
1S	savannah	+\$50
1U	sahara	+\$50
3I	mojave	+\$50
4I	sandstone	+\$50
58	cameo white	+\$0
IQ	aurora	+\$50
OQ	silt	+\$50
Q1	vanilla	+\$0
7I	raffia	+\$120
BLP	blue pebble	+\$120

For 3D laminate (P)

120	light maple woodgrain 3D laminate A	+\$0
121	golden maple woodgrain 3D laminate A	+\$0
122	brown walnut woodgrain 3D laminate A	+\$0
123	chocolate walnut woodgrain 3D laminate A	+\$0
124	warm cherry woodgrain 3D laminate A	+\$0
125	light teak woodgrain 3D laminate A	+\$10
126	basic white 3D laminate A	+\$0

Above-Sink Tile, ADA-Compliant Sink

TW129.

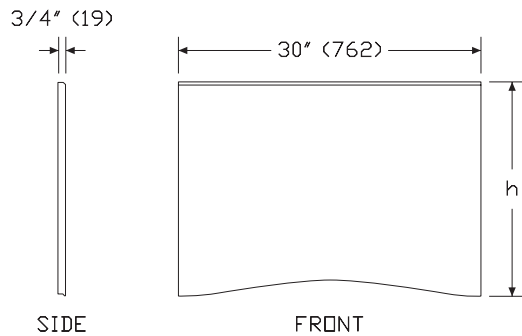


Product Information

Description

This Sink Tile attaches to two Rail-Attached Stiles, ordered separately. It has shingled, creating a flush joint between tiles that prevents liquids from seeping through.

Dimensions



Specification Information

Step 1.

TW129.

Step 2. Height

20 20" high
40 40" high

Step 3. Width

30 30" wide

Step 4. Surface Material

For 20" high (20)

A durawrap™ 3D laminate
K corian
P 3D laminate A

For 40" high (40)

A durawrap™ 3D laminate
P 3D laminate A

Prices for Steps 1-4.

	A	K	P
TW129.20 30	\$235	697	215
40 30	\$473	—	432

Step 5. Surface Finish

Solid-Color

For durawrap™ 3D laminate (A)

91 white +\$0
LU soft white +\$0

Wood-Grain

For durawrap™ 3D laminate (A)

76 light brown walnut +\$10
HM natural maple +\$10
HX aged cherry +\$10
OG honey maple +\$10
PX Nemschoff light cherry +\$10

Above-Sink Tile, ADA-Compliant Sink *continued*

Compass™ Walls

For corian (K)

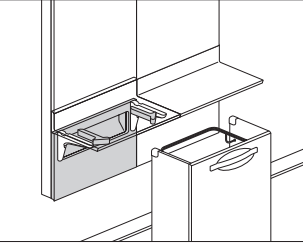
1N	canyon	+\$50
CQ	glacier white	+\$0
QB	bisque	+\$0
1E	flint	+\$120
1S	savannah	+\$50
1U	sahara	+\$50
3I	mojave	+\$50
4I	sandstone	+\$50
58	cameo white	+\$0
IQ	aurora	+\$50
OQ	silt	+\$50
Q1	vanilla	+\$0
7I	raffia	+\$120
BLP	blue pebble	+\$120

For 3D laminate (P)

120	light maple woodgrain 3D laminate <input type="checkbox"/> A	+\$0
121	golden maple woodgrain 3D laminate <input type="checkbox"/> A	+\$0
122	brown walnut woodgrain 3D laminate <input type="checkbox"/> A	+\$0
123	chocolate walnut woodgrain 3D laminate <input type="checkbox"/> A	+\$0
124	warm cherry woodgrain 3D laminate <input type="checkbox"/> A	+\$0
125	light teak woodgrain 3D laminate <input type="checkbox"/> A	+\$10
126	basic white 3D laminate <input type="checkbox"/> A	+\$0

Linen Cart Tile

TW130.



Product Information

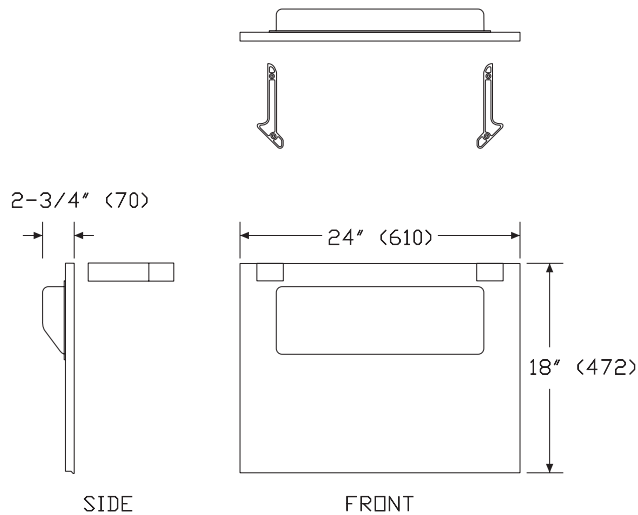
Description

This tile attaches to 2 rail-attached stiles below a work surface to provide a docking area for a linen cart. It includes 2 guides that attach to the work surface support brackets to help align the cart in its stored position. The top and bottom edges are ship lapped (shingled); creating a flush joint between tiles that prevents liquids from seeping back.

Notes

Order cantilever (TW219.) separately. Linen cart guides will attach to work surface support brackets.

Dimensions



Specification Information

Step 1.

TW130.

Step 2. Work Surface Type

- BW** work surface with backsplash
- CN** work surface without backsplash

Step 3. Surface Material

- A** durawrap™ 3D laminate
- P** 3D laminate

Prices for Steps 1-3.

	A	P
TW130. BW	\$375	355
CN	\$431	409

Step 4. Surface Finish

Solid-Color

For durawrap™ 3D laminate (A)

91	white	+\$0
LU	soft white	+\$0

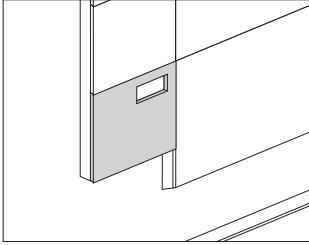
Wood-Grain

For durawrap™ 3D laminate (A)

76	light brown walnut	+\$10
HX	aged cherry	+\$10
HM	natural maple	+\$10
PX	Nemschoff light cherry	+\$10
OG	honey maple	+\$10

For 3D laminate (P)

120	light maple woodgrain 3D laminate <input type="checkbox"/>	+\$0
121	golden maple woodgrain 3D laminate <input type="checkbox"/>	+\$0
122	brown walnut woodgrain 3D laminate <input type="checkbox"/>	+\$0
123	chocolate walnut woodgrain 3D laminate <input type="checkbox"/>	+\$0
124	warm cherry woodgrain 3D laminate <input type="checkbox"/>	+\$0
125	light teak woodgrain 3D laminate <input type="checkbox"/>	+\$10
126	basic white 3D laminate <input type="checkbox"/>	+\$0



Product Information

Description

This tile attaches to 2 rail-attached stiles in the lowest position and has cutouts for various combinations of electrical access. The top and bottom edges are ship lapped (shingled); creating a flush joint between tiles that prevents liquids from seeping back. The tile has a 3D laminate surface. Durawrap™ 3D laminate is a 99.9% PVC-free material. Cutout trim plates are not included.

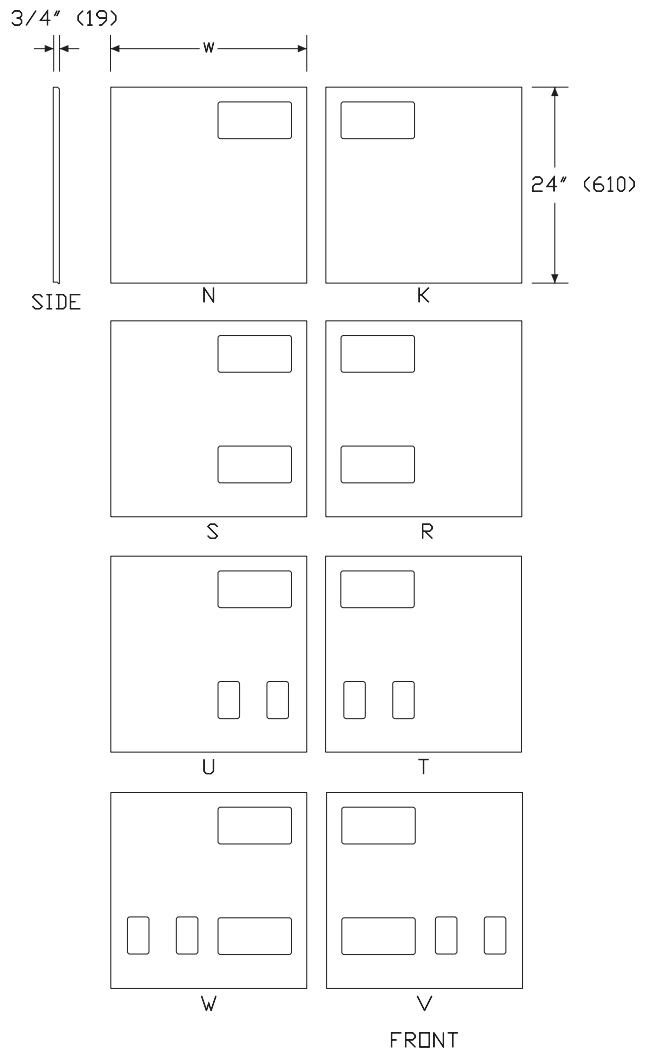
Notes

Tile attaches to the bottom position on stiles only.

Specify utility support rail (TW170.) separately for each row of cutouts in utility tile.

Specify electrical junction box attachment bracket (TW172.) for each individual cutout in utility tile.

Dimensions



Utility Tile, Electrical, Lower

continued

Specification Information

Step 1.

TW140.

Step 2. Width

18	18" wide
24	24" wide
36	36" wide
48	48" wide

Step 3. Configuration

K	3-gang cutout left, row 3
N	3-gang cutout right, row 3
R	3-gang cutout left, row 3, 3-gang cutout left, row 1
S	3-gang cutout right, row 3, 3-gang cutout right, row 1
T	3-gang cutout left, row 3, 2 single cutouts left, row 1
U	3-gang cutout right, row 3, 2 single cutouts right, row 1
V	3-gang cutout left, row 3, 3-gang and 2 single cutouts left, row 1
W	3-gang cutout right, row 3, 3-gang and 2 single cutouts right, row 1

Step 4. Surface Material

A	durawrap™ 3D laminate
P	3D laminate <input type="checkbox"/>

Prices for Steps 1-4.

	A	P
TW140. 18 K	\$165	150
N	\$165	150
R	\$176	159
S	\$176	159
T	\$188	169
U	\$188	169
V	\$199	180
W	\$199	180
24 K	\$195	180
N	\$195	180
R	\$207	189
S	\$207	189
T	\$219	199
U	\$219	199
V	\$230	211
W	\$230	211

36 K	\$230	211
N	\$230	211
R	\$242	222
S	\$242	222
T	\$252	231
U	\$252	231
V	\$265	242
W	\$265	242
48 K	\$298	273
N	\$298	273
R	\$310	284
S	\$310	284
T	\$321	294
U	\$321	294
V	\$333	304
W	\$333	304

Step 5. Surface Finish

Solid-Color

For durawrap™ 3D laminate (A)

91	white	+\$0
LU	soft white	+\$0

Wood-Grain

For durawrap™ 3D laminate (A)

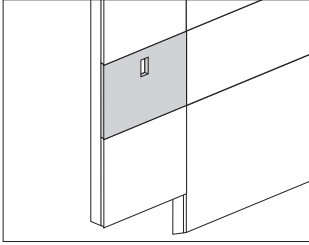
HX	aged cherry	+\$10
HM	natural maple	+\$10
76	light brown walnut	+\$10
PX	Nemschoff light cherry	+\$10
OG	honey maple	+\$10

For 3D laminate (P)

120	light maple woodgrain 3D laminate <input type="checkbox"/>	+\$0
121	golden maple woodgrain 3D laminate <input type="checkbox"/>	+\$0
122	brown walnut woodgrain 3D laminate <input type="checkbox"/>	+\$0
123	chocolate walnut woodgrain 3D laminate <input type="checkbox"/>	+\$0
124	warm cherry woodgrain 3D laminate <input type="checkbox"/>	+\$0
125	light teak woodgrain 3D laminate <input type="checkbox"/>	+\$10
126	basic white 3D laminate <input type="checkbox"/>	+\$0

Utility Tile, Electrical, Partial-Height Upper

TW141.



Compass™ Walls

Product Information

Description

This tile attaches to 2 rail-attached stiles in the middle or upper position and has cutouts for various combinations of electrical access. It can also be used for mounting a flat panel television or monitor. The top and bottom edges are ship lapped (shingled); creating a flush joint between tiles that prevents liquids from seeping back. The tile has a 3D laminate surface. Durawrap™ 3D laminate is a 99.9% PVC-free material. Cutout trim plates are not included.

Notes

Tile will not attach in the bottom tile position.

When mounting a flat panel television or monitor, specify tv/monitor support bracket (TW175.) separately.

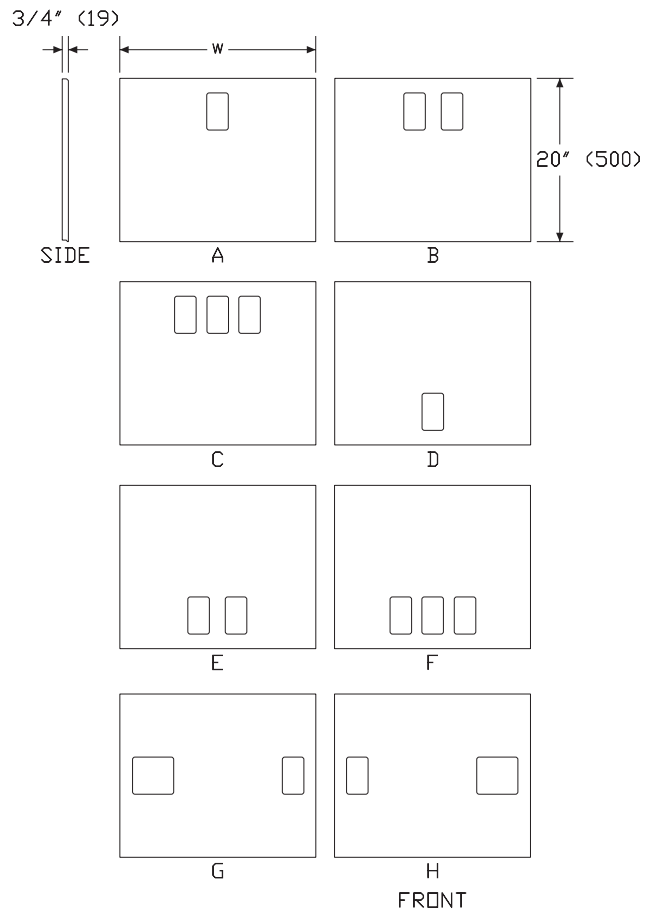
When mounting a flat panel television or monitor, specify tile with one of the following options:

- Single cutout center, row 3 option (A)
- 2 single cutouts center, row 3 option (B)
- 3 single cutouts center, row 3 option (C)

Specify utility support rail (TW170.) separately for each row of cutouts in utility tile.

Specify electrical junction box attachment bracket (TW172.) for each individual cutout in utility tile.

Dimensions



Utility Tile, Electrical, Partial-Height Upper *continued*

Specification Information

Step 1.

TW141.

Step 2. Width

18	18" wide
24	24" wide
36	36" wide
48	48" wide

Step 3. Tile Position

M	middle tile position
T	top tile position

Step 4. Configuration

For 18" wide (18), 24" wide (24), or 36" wide (36) with middle tile position (M)

A	single cutout center, row 3
B	2 single cutouts center, row 3
C	3 single cutouts center, row 3
D	single cutout center, row 1
E	2 single cutouts center, row 1
F	3 single cutouts center, row 1

For 18" wide (18), 24" wide (24), or 36" wide (36) with top tile position (T)

A	single cutout center, row 3
B	2 single cutouts center, row 3
C	3 single cutouts center, row 3

For 48" wide (48) with middle tile position (M) or top tile position (T)

A	single cutout center, row 3
B	2 single cutouts center, row 3
C	3 single cutouts center, row 3
G	3-gang cutout left, row 2, single cutout right, row 2
H	single cutout left, row 2, 3-gang cutout right, row 2

Step 5. Surface Material

A	durawrap™ 3D laminate
P	3D laminate A

Prices for Steps 1-5.

	AA	AP	BA	BP	CA	CP
TW141. 18 M	\$149	133	160	144	171	155
T	\$149	133	160	144	171	155

24 M	\$179	164	190	174	201	185
T	\$179	164	190	174	201	185
36 M	\$225	205	236	217	247	227
T	\$225	205	236	217	247	227
48 M	\$293	268	304	279	316	289
T	\$293	268	304	279	316	289

	DA	DP	EA	EP	FA	FP
TW141. 18 M	\$194	174	206	186	217	196
24 M	\$179	164	190	174	201	185
36 M	\$225	205	236	217	247	227

	GA	GP	HA	HP
TW141. 48 M	\$304	279	304	279
T	\$304	279	304	279

Step 6. Surface Finish

Solid-Color

For durawrap™ 3D laminate (A)

91	white	+\$0
LU	soft white	+\$0

Wood-Grain

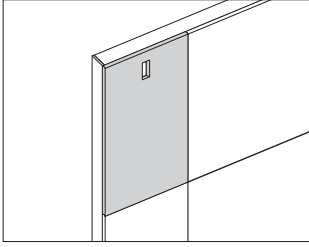
For durawrap™ 3D laminate (A)

HX	aged cherry	+\$10
HM	natural maple	+\$10
76	light brown walnut	+\$10
PX	Nemschoff light cherry	+\$10
OG	honey maple	+\$10

For 3D laminate (P)

120	light maple woodgrain 3D laminate A	+\$0
121	golden maple woodgrain 3D laminate A	+\$0
122	brown walnut woodgrain 3D laminate A	+\$0
123	chocolate walnut woodgrain 3D laminate A	+\$0
124	warm cherry woodgrain 3D laminate A	+\$0
125	light teak woodgrain 3D laminate A	+\$10
126	basic white 3D laminate A	+\$0

Utility Tile, Electrical, Full-Height Upper TW142.



Compass™ Walls

Product Information

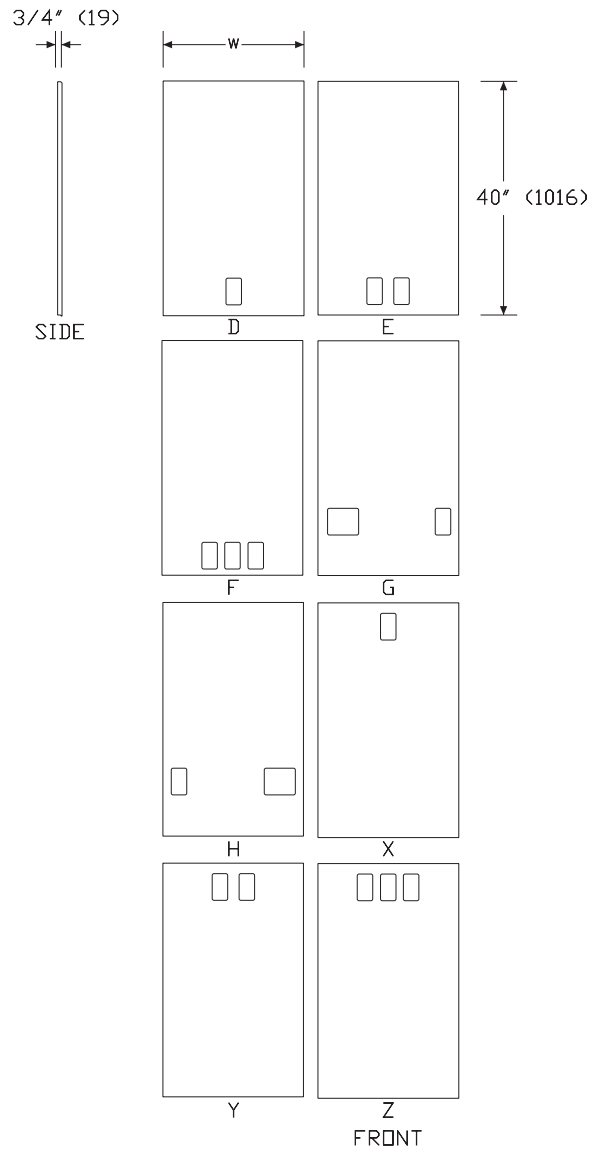
Description

This tile attaches to 2 rail-attached stiles in the middle and upper tile positions and has cutouts for various combinations of electrical access. The top and bottom edges are ship lapped (shingled); creating a flush joint between tiles that prevents liquids from seeping back. The tile has a 3D laminate surface. Durawrap™ 3D laminate is a 99.9% PVC-free material. Cutout trim plates are not included.

Notes

- Tile will not attach in the bottom tile position.
- Specify utility support rail (TW170.) separately for each row of cutouts in utility tile.
- Specify electrical junction box attachment bracket (TW172.) for each individual cutout in utility tile.

Dimensions



Utility Tile, Electrical, Full-Height Upper *continued*

Specification Information

Step 1.

TW142.

Step 2. Width

18	18" wide
24	24" wide
36	36" wide
48	48" wide

Step 3. Configuration

For 18" wide (18), 24" wide (24), or 36" wide (36)

D	single cutout center, row 1
E	2 single cutouts center, row 1
F	3 single cutouts center, row 1
X	single cutout center, row 5
Y	2 single cutouts center, row 5
Z	3 single cutouts center, row 5

For 48" wide (48)

G	3-gang cutout left, row 2, single cutout right, row 2
H	single cutout left, row 2, 3-gang cutout right, row 2
X	single cutout center, row 5
Y	2 single cutouts center, row 5
Z	3 single cutouts center, row 5

Step 4. Surface Material

A	durawrap™ 3D laminate
P	3D laminate <input type="checkbox"/>

Prices for Steps 1-4.

	A	P
TW142. 18 D	\$243	218
E	\$255	228
F	\$232	208
X	\$243	218
Y	\$255	228
Z	\$313	281
24 D	\$293	268
E	\$304	279
F	\$316	289
X	\$293	268
Y	\$304	279
Z	\$316	289

36 D	\$374	342
E	\$384	351
F	\$396	362
X	\$374	342
Y	\$384	351
Z	\$396	362
48 G	\$447	409
H	\$447	409
X	\$435	398
Y	\$447	409
Z	\$457	419

Step 5. Surface Finish

Solid-Color

For durawrap™ 3D laminate (A)

91	white	+\$0
LU	soft white	+\$0

Wood-Grain

For durawrap™ 3D laminate (A)

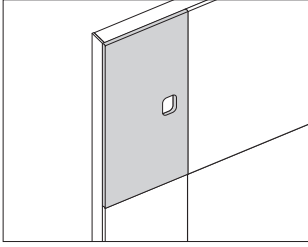
HX	aged cherry	+\$10
HM	natural maple	+\$10
76	light brown walnut	+\$10
PX	Nemschoff light cherry	+\$10
OG	honey maple	+\$10

For 3D laminate (P)

120	light maple woodgrain 3D laminate <input type="checkbox"/>	+\$0
121	golden maple woodgrain 3D laminate <input type="checkbox"/>	+\$0
122	brown walnut woodgrain 3D laminate <input type="checkbox"/>	+\$0
123	chocolate walnut woodgrain 3D laminate <input type="checkbox"/>	+\$0
124	warm cherry woodgrain 3D laminate <input type="checkbox"/>	+\$0
125	light teak woodgrain 3D laminate <input type="checkbox"/>	+\$10
126	basic white 3D laminate <input type="checkbox"/>	+\$0

Utility Tile, Light

TW155.



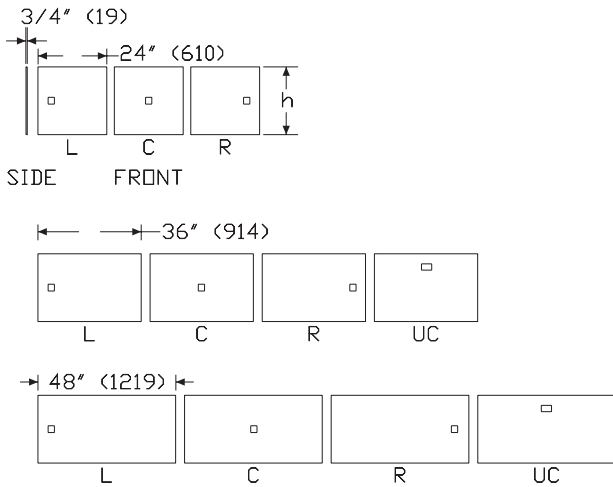
Compass™ Walls

Product Information

Description

The Light Tile attaches to two Rail-Attached Stiles, ordered separately. It has shingled edges to allow for liquids to more easily roll off. The mounting location always falls on the second from top location. An above bed tile (36 or 48) will have the opening in the top first position mounting an above bed light.

Dimensions



Specification Information

Step 1.

TW155.

Step 2. Height

20	20" high
40	40" high

Step 3. Width

24	24" wide
36	36" wide
48	48" wide

Step 4. Configuration

For 24" wide (24)

L	cutout left
C	cutout center
R	cutout right

For 36" wide (36) or 48" wide (48)

L	cutout left
C	cutout center
R	cutout right
UC	upper center (above bed light application)

Step 5. Surface Material

For 20" high (20)

A	durawrap™ 3D laminate
K	corian
P	3D laminate <input type="checkbox"/> A

For 40" high (40)

A	durawrap™ 3D laminate
P	3D laminate <input type="checkbox"/> A

Prices for Steps 1-5.

	LA	LK	LP	CA	CK	CP
TW155.20 24	\$190	195	174	190	195	174
36	\$236	242	217	236	242	217
48	\$304	313	279	304	313	279
40 24	\$304	—	279	304	—	279
36	\$384	—	351	384	—	351
48	\$447	—	409	447	—	409

Utility Tile, Light *continued*

	RA	RK	RP	UCA	UCK	UCP
TW155.20 24	\$190	195	174	—	—	—
36	\$236	242	217	236	242	217
48	\$304	313	279	304	313	279
40 24	\$304	—	279	—	—	—
36	\$384	—	351	384	—	351
48	\$447	—	409	447	—	409

Step 6. Surface Finish

Solid-Color

For durawrap™ 3D laminate (A)

91	white					+\$0
LU	soft white					+\$0

Wood-Grain

For durawrap™ 3D laminate (A)

76	light brown walnut					+\$10
HM	natural maple					+\$10
HX	aged cherry					+\$10
OG	honey maple					+\$10
PX	Nemschoff light cherry					+\$10

For corian (K)

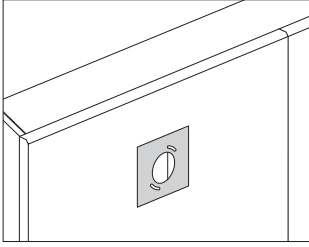
1N	canyon					+\$50
CQ	glacier white					+\$0
QB	bisque					+\$0
1E	flint					+\$120
1S	savannah					+\$50
1U	sahara					+\$50
3I	mojave					+\$50
4I	sandstone					+\$50
58	cameo white					+\$0
IQ	aurora					+\$50
OQ	silt					+\$50
Q1	vanilla					+\$0
7I	raffia					+\$120
BLP	blue pebble					+\$120

For 3D laminate (P)

120	light maple woodgrain 3D laminate	A				+\$0
121	golden maple woodgrain 3D laminate	A				+\$0
122	brown walnut woodgrain 3D laminate	A				+\$0
123	chocolate walnut woodgrain 3D laminate	A				+\$0
124	warm cherry woodgrain 3D laminate	A				+\$0
125	light teak woodgrain 3D laminate	A				+\$10
126	basic white 3D laminate	A				+\$0

Sconce Light Trim Plate

TW156.



Compass™ Walls

Product Information

Description

This trim plate is mounted to a junction box to fill the gap between the cutout of the tile and the sconce when mounting lights to the light tiles. Finish is metallic silver.

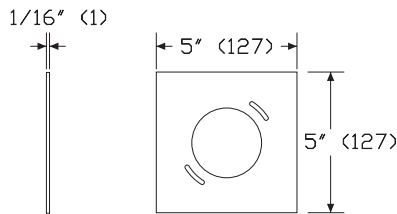
Notes

Attaches to field supplied j-box.

Specify the following products separately:

- Utility Tile, Light (TW155.)

Dimensions



Specification Information

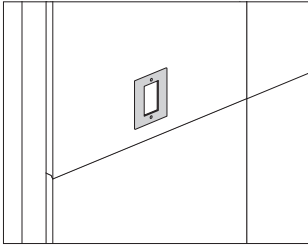
Step 1.

TW156.

\$29

Nurse Call Trim Plate

TW159.



Product Information

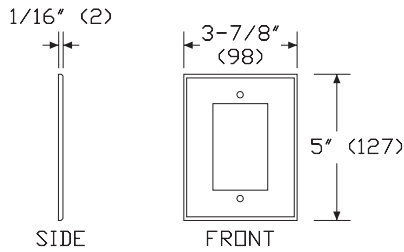
Description

This plate attaches to a utility tile to fill the gap between the cutout and a junction box trim plate when housing a device such as 37-pin connector plug, 3- or 4-gang nurse call button, code blue button, or staff assist button. Finish is metallic silver.

Notes

Nurse call trim plate works in conjunction with field-supplied junction box trim plate.

Dimensions



Specification Information

Step 1.

TW159.

Step 2. Type

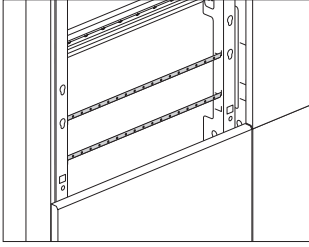
- A** single
- B** double
- C** triple
- D** quadruple

Prices for Steps 1-2.

TW159.A	\$29
B	\$29
C	\$29
D	\$29

Utility Support Rail

TW170.



Compass™ Walls

Product Information

Description

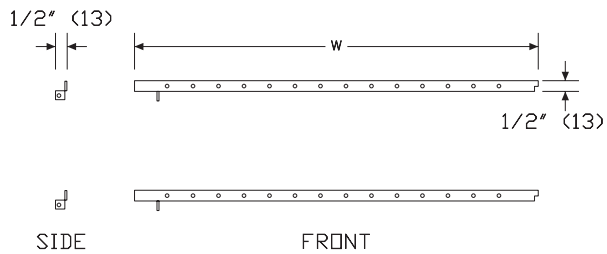
This dual rail mounts between 2 rail-attached stiles to provide attachment for electrical junction box and gas outlet attachment brackets. Package of 2 rails supports 1 row of utilities within a utility tile. Stile attachment screws included.

Notes

Specify the following products separately:

- Electrical junction box attachment bracket (TW172.)

Dimensions



Specification Information

Step 1.

TW170.

Step 2. Width

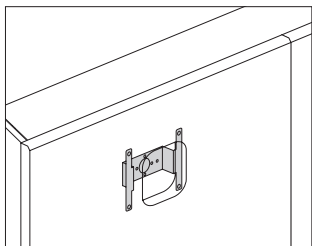
- 18** 18" wide
- 24** 24" wide
- 36** 36" wide
- 48** 48" wide

Prices for Steps 1-2.

TW170.18	\$16
24	\$20
36	\$29
48	\$37

Sconce Light Junction Box
Attachment Bracket

TW171.



Product Information

Description

This bracket is used when mounting lights to the light tiles. It supports the field supplied j-box for mounting a sconce light.

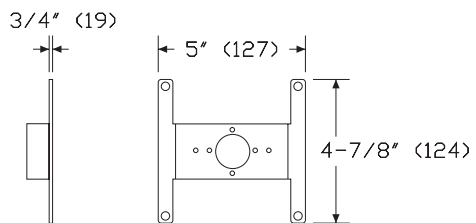
Notes

Attaches to field supplied j-box.

Specify the following products separately:

- Utility Support Rail (TW170)
- Light Tile (TW155)

Dimensions



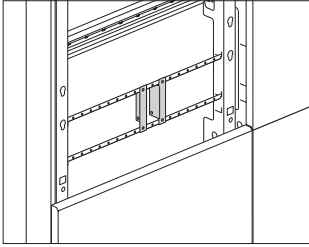
Specification Information

Step 1.

TW171.

\$32

Electrical Junction Box Attachment Bracket TW172.



Compass™ Walls

Product Information

Description

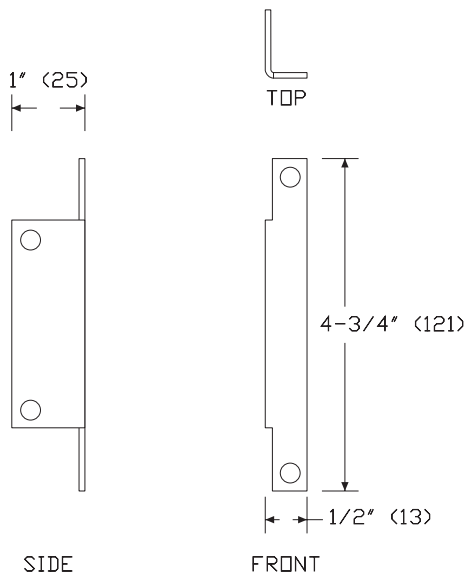
This set of L-brackets attaches to a utility support rail to support a 1-, 2-, 3-, or 4-gang electrical junction box within a utility tile. It can be specified with or without junction boxes. Rail attachment screws included.

Notes

Specify utility support rail (TW170.) separately.

Specify no junction box option (N) when junction box will be supplied in the field.

Dimensions



Specification Information

Step 1.

TW172.

Step 2. Quantity

- 1 pkg of 2 for 1 junction box
- 2 pkg of 12 for 6 junction boxes
- 3 pkg of 60 for 30 junction boxes

Prices for Steps 1-2.

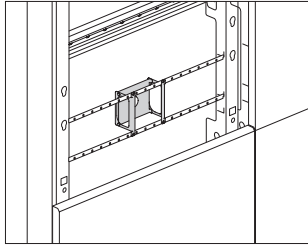
TW172. 1	\$17
2	\$91
3	\$447

Step 3. Junction Box Type

		1	2	3
N	no junction box	+\$0	0	0
A	1-gang junction box(es)	+\$10	57	284
B	2-gang junction box(es)	+\$16	95	473
C	3-gang junction box(es)	+\$21	126	630
D	4-gang junction box(es)	+\$29	170	851

Electrical 4x4 Junction Box
Attachment Bracket

TW174.



Product Information

Description

This bracket attaches 1 4x4 junction box to a utility support rail. It can be used with 3/4" or 1" conduit alignment. Package contains 2 brackets. Rail attachment screws included.

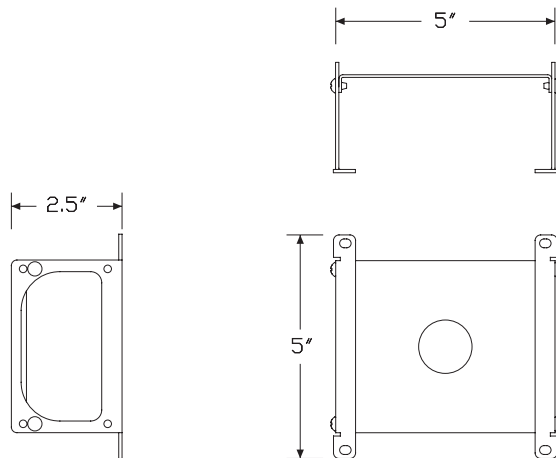
Notes

Specify utility support rail (TW170.) separately.

Offers adjustment for 3/4" or 1" conduit alignment.

Shipped in 3/4" conduit alignment.

Dimensions



Specification Information

Step 1.

TW174.

Step 2. Quantity

1 pkg for ONE 4x4 junction box

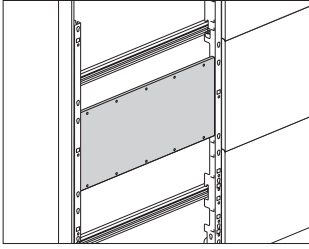
Prices for Steps 1-2.

TW174.1

\$73

TV/Monitor Support Bracket

TW175.



Compass™ Walls

Product Information

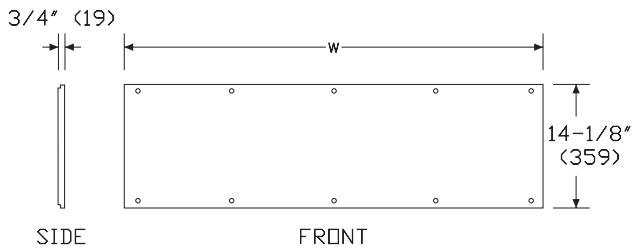
Description

This bracket attaches between 2 rail-attached stiles to provide support when mounting a flat panel television or monitor to a utility tile.

Notes

Specify utility tile, electrical, partial-height upper (TW141.) separately.

Dimensions



Specification Information

Step 1.

TW175.

Step 2. Width

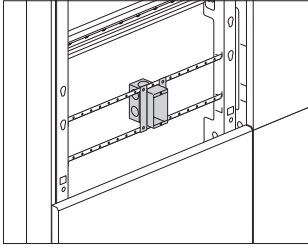
36 36" wide

48 48" wide

Prices for Steps 1-2.

TW175.36	\$94
48	\$109

1" Conduit Electrical Junction Box TW176.



Product Information

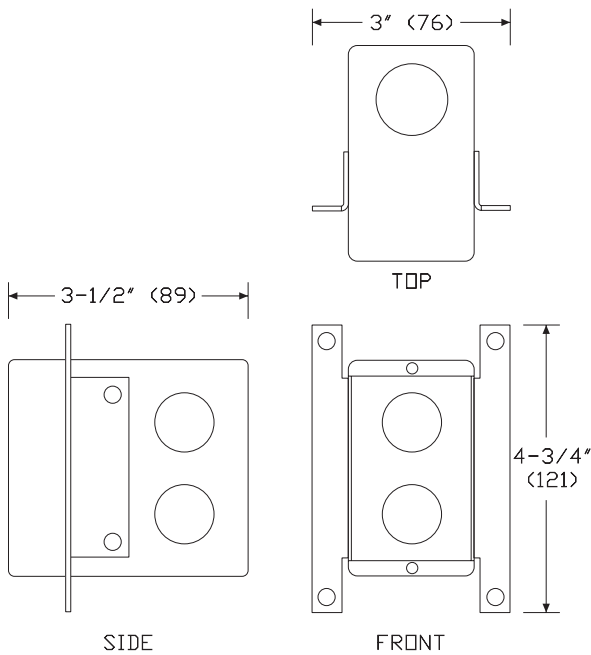
Description

This conduit junction box allows up to 4 Category 6a and other large volume cables to be brought in behind the compass structure without disrupting utility rails, tiles, or other components. This is designed for flexible conduit only.

Notes

Conduit access hole is either top or bottom only, not both.
Specify utility support rail (TW170.) separately.

Dimensions



Specification Information

Step 1.

TW176.

Step 2. Quantity

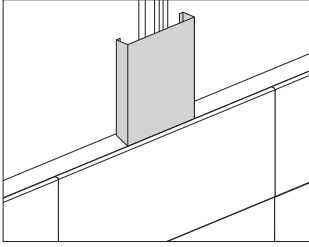
- 1 pkg for 1 junction box
- 2 pkg for 6 junction boxes
- 3 pkg for 30 junction boxes

Prices for Steps 1-2.

TW176.1	\$46
2	\$256
3	\$1279

Chase

TW180.



Compass™ Walls

Product Information

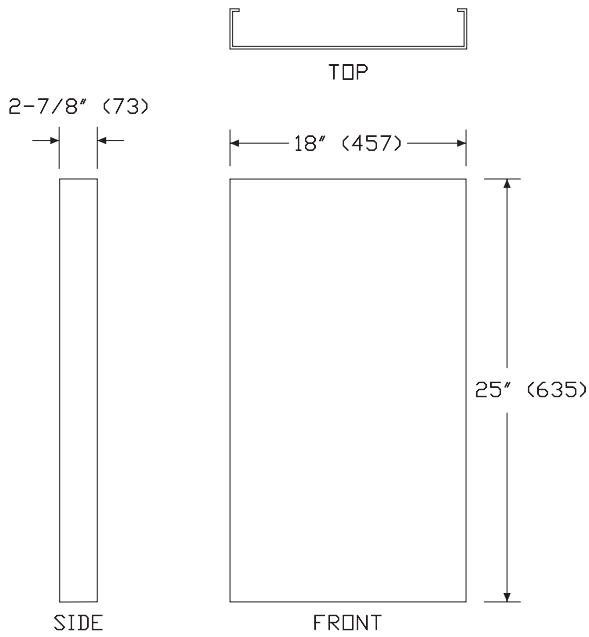
Description

This chase attaches to an architectural wall to hide gas and electrical utilities routed from the ceiling. It can be painted in the field. Attachment hardware included.

Notes

Chase is designed to be used with 64"-high stiles in rooms with a ceiling height between 8'6" and 9' high. For other chase sizes, contact Options. Chase accommodates up to 9 1" cables or lines with 1" space between.

Dimensions



Specification Information

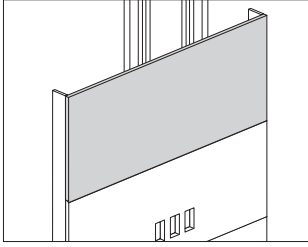
Step 1.

TW180.

\$183

Chase Tile

TW182.



Product Information

Description

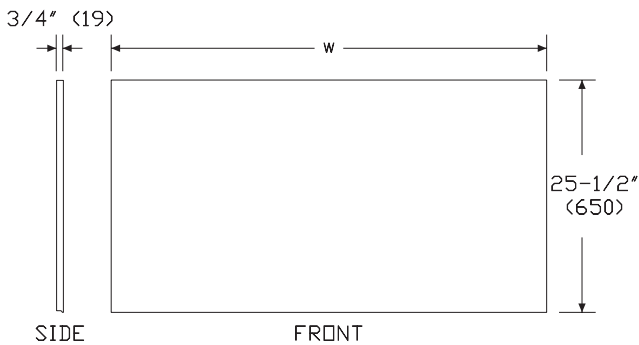
This tile attaches to chase tile stiles to hide gas and electrical utilities routed from the ceiling. It has a 3D laminate surface. Durawrap™ 3D laminate is a 99.9% PVC-free material.

Notes

Specify stile, chase tile (TW114.) separately.

Chase tile is designed to be used with 64"-high stiles in rooms with a ceiling height between 8'6" and 9' high. For other chase sizes, contact Options.

Dimensions



Specification Information

Step 1.

TW182.

Step 2. Width

- 24** 24" wide
- 36** 36" wide
- 48** 48" wide

Step 3. Surface Material

- A** durawrap™ 3D laminate
- P** 3D laminate

Prices for Steps 1-3.

	A	P
TW182. 24	\$306	280
36	\$334	304
48	\$351	320

Step 4. Surface Finish

Solid-Color

For durawrap™ 3D laminate (A)

- 91** white +\$0
- LU** soft white +\$0

Wood-Grain

For durawrap™ 3D laminate (A)

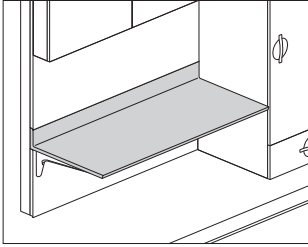
- 76** light brown walnut +\$10
- HX** aged cherry +\$10
- HM** natural maple +\$10
- PX** Nemschoff light cherry +\$10
- OG** honey maple +\$10

For 3D laminate (P)

- 120** light maple woodgrain 3D laminate +\$0
- 121** golden maple woodgrain 3D laminate +\$0
- 122** brown walnut woodgrain 3D laminate +\$0
- 123** chocolate walnut woodgrain 3D laminate +\$0
- 124** warm cherry woodgrain 3D laminate +\$0
- 125** light teak woodgrain 3D laminate +\$10
- 126** basic white 3D laminate +\$0

Work Surface

TW210.
TW211.



Compass™ Surfaces

Product Information

Description

This work surface attaches to a work surface tile and is available in 3D laminate or Corian®. Durawrap™ 3D laminate is a 99.9% PVC-free material. It can be specified with an integrated backsplash or without and can mount on cantilevers, a drawer module, or a combination of both.

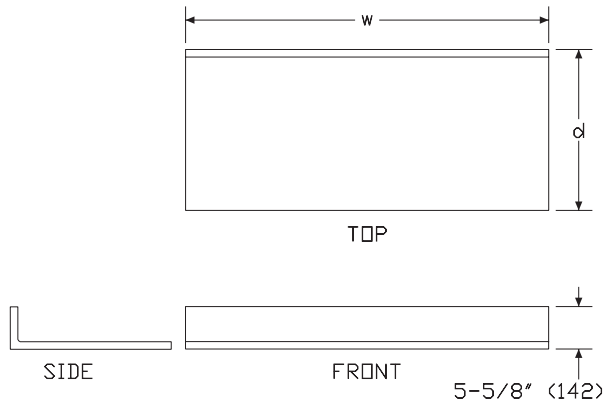
Notes

A surface up to 48" wide requires 2 supports. 54" wide and wider surfaces require 3 supports.

Specify the following products separately:

- Cantilever (TW219.)
- Drawer Module (TW310.)
- Work surface tile (TW124.)

Dimensions



Specification Information

Step 1.

TW21

Step 2. Backsplash

- 0. with backsplash
- 1. without backsplash

Step 3. Depth

- 13 13" deep
- 21 21" deep

Step 4. Width

- 12 12" wide
- 18 18" wide
- 24 24" wide
- 30 30" wide
- 36 36" wide
- 42 42" wide
- 48 48" wide
- 54 54" wide
- 60 60" wide
- 66 66" wide
- 72 72" wide

Step 5. Surface Material

For with backsplash (0.)

- A durawrap™ 3D laminate
- K corian

For without backsplash (1.)

- A durawrap™ 3D laminate
- K corian
- P 3D laminate A

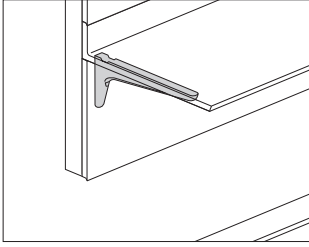
Prices for Steps 1-5.			
	A	K	P
TW210.13			
12	\$409	451	—
18	\$453	497	—
24	\$497	543	—
30	\$554	634	—
36	\$614	759	—
42	\$701	864	—
48	\$788	969	—
54	\$870	1074	—
60	\$950	1180	—
66	\$1032	1285	—
72	\$1113	1390	—
21			
12	\$479	520	—
18	\$552	608	—
24	\$625	696	—
30	\$712	872	—
36	\$799	1049	—
42	\$1003	1158	—
48	\$1206	1265	—
54	\$1236	1445	—
60	\$1265	1624	—
66	\$1293	1798	—
72	\$1322	1972	—
	A	K	P
TW211.13			
12	\$195	388	179
18	\$201	405	185
24	\$208	423	190
30	\$282	445	256
36	\$293	582	267
42	\$317	656	290
48	\$342	730	311
54	\$366	807	333
60	\$390	885	356
66	\$421	965	384
72	\$451	1044	412

21	12	\$221	411	200
18		\$240	491	219
24		\$258	570	236
30		\$307	733	281
36		\$342	866	318
42		\$366	953	337
48		\$390	1038	356
54		\$415	1186	378
60		\$439	1333	400
66		\$469	1481	428
72		\$500	1630	455

Step 6. Surface Finish			
Solid-Color			
<i>For with backsplash (o.) or without backsplash (1.) with durawrap™ 3D laminate (A)</i>			
91	white		+\$0
LU	soft white		+\$0
Wood-Grain			
<i>For without backsplash (1.) with durawrap™ 3D laminate (A)</i>			
76	light brown walnut		+\$10
HM	natural maple		+\$10
HX	aged cherry		+\$10
OG	honey maple		+\$10
PX	Nemschoff light cherry		+\$10
<i>For corian (K)</i>			
1N	canyon		+\$50
CQ	glacier white		+\$0
QB	bisque		+\$0
1E	flint		+\$120
1S	savannah		+\$50
1U	sahara		+\$50
3I	mojave		+\$50
4I	sandstone		+\$50
58	cameo white		+\$0
IQ	aurora		+\$50
OQ	silt		+\$50
Q1	vanilla		+\$0
7I	raffia		+\$120
BLP	blue pebble		+\$120
<i>For without backsplash (1.) with 3D laminate (P)</i>			
126	basic white 3D laminate [A]		+\$0

Cantilever

TW219.



Compass™ Surfaces

Product Information

Description
 This single cantilever supports a work surface at either end, or in the middle. Finish is metallic silver.

Notes
 Specify the following products separately:
 • Work surface (TW210.)
 • Work surface tile (TW124.)

Dimensions

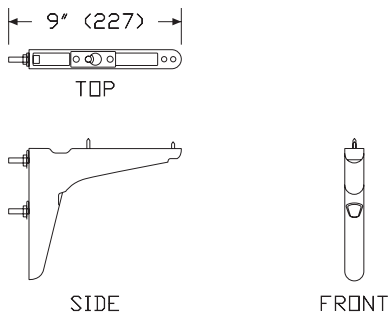
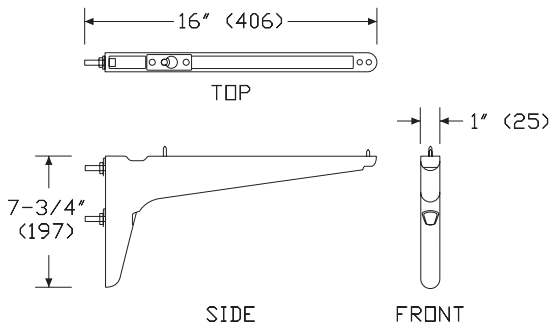
Specification Information

Step 1.
TW219.

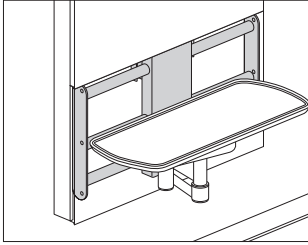
Step 2. Depth
13 for 13" deep work surface
21 for 21" deep work surface

Prices for Steps 1-2.

TW219.13	\$63
21	\$79



Rotating Work Surface Support
Bracket TW229.



Product Information

Description

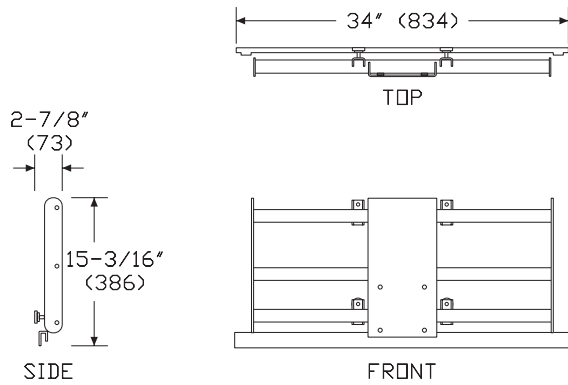
This support bracket attaches between 2 rail-attached stiles behind a rotating work surface tile to support a rotating work surface.

Notes

Specify the following products separately:

- Rotating work surface arm (TW221.)
- Rotating work surface top (TW222.)
- Rotating work surface tile (TW126.)

Dimensions



Specification Information

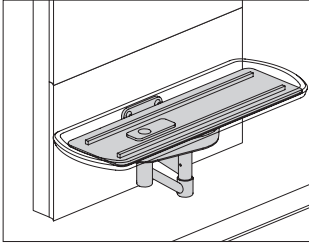
Step 1.

TW229.36

\$181

Rotating Work Surface Arm

TW221.



Compass™ Surfaces

Product Information

Description

This arm attaches to a rotating work surface tile and accepts the rotating work surface top. The rotating arm finish is metallic silver.

Notes

Surface can be used in seated- or standing-height applications.

Specify the following products separately:

- Rotating work surface support bracket (TW229.)
- Rotating work surface tile (TW126.)
- Rotating work surface top (TW222.)

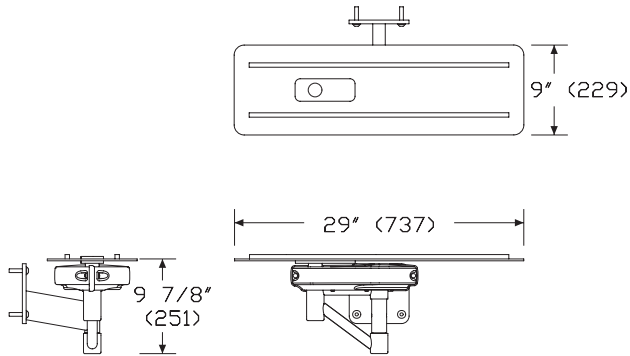
Dimensions

Specification Information

Step 1.

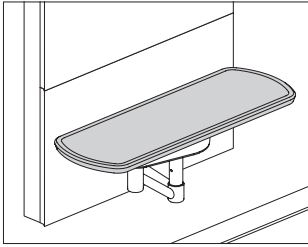
TW221.

\$1763



Rotating Work Surface Top

TW222.



Product Information

Description

This extendable surface attaches to a rotating work surface arm and has a 3D laminate or Corian® finish. Durawrap™ 3D laminate is a 99.9% PVC-free material.

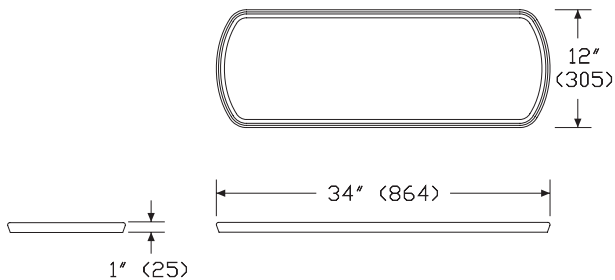
Notes

Surface can be used in seated- or standing-height applications.

Specify the following products separately:

- Rotating work surface support bracket (TW229.)
- Rotating work surface tile (TW126.)
- Rotating work surface arm (TW221.)

Dimensions



Specification Information

Step 1.

TW222.

Step 2. Surface Material

- A** durawrap™ 3D laminate
- K** corian
- P** 3D laminate A

Prices for Steps 1-2.

TW222.A	\$303
K	\$695
P	\$278

Step 3. Surface Finish

Solid-Color

For durawrap™ 3D laminate (A)

91 white	+\$0
LU soft white	+\$0

Wood-Grain

For durawrap™ 3D laminate (A)

76 light brown walnut	+\$10
HX aged cherry	+\$10
HM natural maple	+\$10
PX Nemschoff light cherry	+\$10
OG honey maple	+\$10

For corian (K)

1N canyon	+\$50
CQ glacier white	+\$0
QB bisque	+\$0
1E flint	+\$120
1S savannah	+\$50
1U sahara	+\$50
3I mojave	+\$50
4I sandstone	+\$50
58 cameo white	+\$0
IQ aurora	+\$50
OQ silt	+\$50
Q1 vanilla	+\$0
7I raffia	+\$120
BLP blue pebble	+\$120

Rotating Work Surface Top *continued*

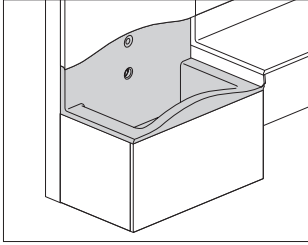
Compass™ Surfaces

For 3D laminate (P)

120	light maple woodgrain 3D laminate <input type="checkbox"/> A	+\$0
121	golden maple woodgrain 3D laminate <input type="checkbox"/> A	+\$0
122	brown walnut woodgrain 3D laminate <input type="checkbox"/> A	+\$0
123	chocolate walnut woodgrain 3D laminate <input type="checkbox"/> A	+\$0
124	warm cherry woodgrain 3D laminate <input type="checkbox"/> A	+\$0
125	light teak woodgrain 3D laminate <input type="checkbox"/> A	+\$10
126	basic white 3D laminate <input type="checkbox"/> A	+\$0

Sink, 13" Deep

TW230.



Product Information

Description

This Corian® sink attaches to 2 rail-attached stiles and has an integrated backsplash. The backsplash is curved and can be specified with holes to accept a faucet (TW239.). Drain assembly not included.

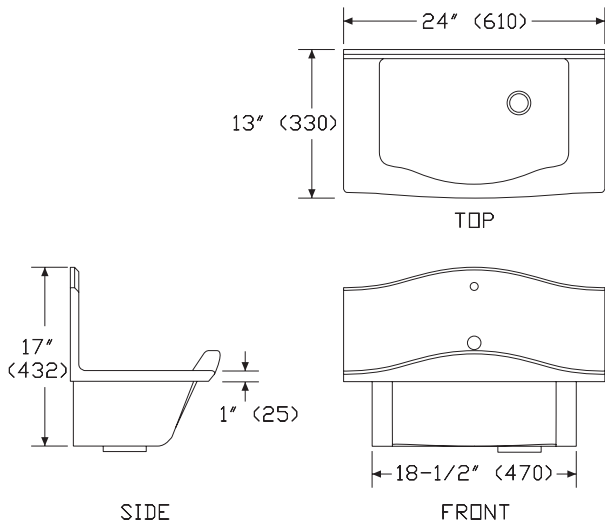
Notes

Sink does not have an overflow hole.

Specify the following products separately:

- Above sink tile (TW128.)
- Faucet (TW239.)
- Sink enclosure (TW232.)

Dimensions



Specification Information

Step 1.

TW230.1324

Step 2. Type

H faucet holes

N no faucet holes

Prices for Steps 1-2.

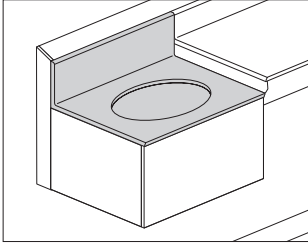
TW230.1324 H	\$2442
N	\$2417

Step 3. Surface Finish

1N canyon <input type="checkbox"/>	+\$180
CQ glacier white <input type="checkbox"/>	+\$0
QB bisque <input type="checkbox"/>	+\$0
1E flint <input type="checkbox"/>	+\$320
1S savannah <input type="checkbox"/>	+\$180
1U sahara <input type="checkbox"/>	+\$180
3I mojave <input type="checkbox"/>	+\$180
4I sandstone <input type="checkbox"/>	+\$180
58 cameo white <input type="checkbox"/>	+\$0
IQ aurora <input type="checkbox"/>	+\$180
OQ silt <input type="checkbox"/>	+\$180
Q1 vanilla <input type="checkbox"/>	+\$0
7I raffia <input type="checkbox"/>	+\$320
BLP blue pebble <input type="checkbox"/>	+\$320

Sink, 21" Deep

TW231.



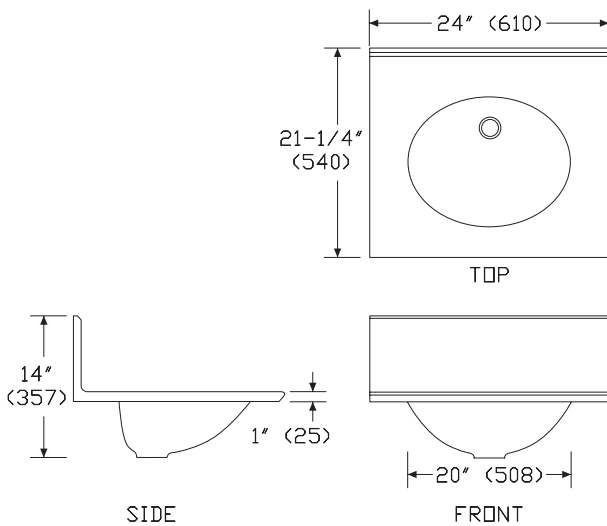
Compass™ Surfaces

Product Information

Description
This Corian® sink attaches to 2 rail-attached stiles and has an integrated backsplash.

Notes
Specify sink enclosure (TW232.) separately.
Sink does not accept faucet (TW239.). Faucet must be field-supplied.

Dimensions



Specification Information

Step 1.
TW231.2124N [A] \$1388

Step 2. Sink Top Finish

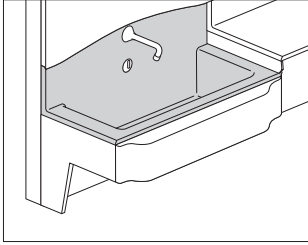
1N	canyon	[A]	+\$60
CQ	glacier white	[A]	+\$0
QB	bisque	[A]	+\$0
1E	flint	[A]	+\$140
1S	savannah	[A]	+\$60
1U	sahara	[A]	+\$60
3I	mojave	[A]	+\$60
4I	sandstone	[A]	+\$60
58	cameo white	[A]	+\$0
IQ	aurora	[A]	+\$60
OQ	silt	[A]	+\$60
Q1	vanilla	[A]	+\$0
7I	raffia	[A]	+\$140
BLP	blue pebble	[A]	+\$140

Step 3. Sink Bowl Finish

CQ	glacier white	[A]	+\$0
QB	bisque	[A]	+\$0
58	cameo white	[A]	+\$0
Q1	vanilla	[A]	+\$0

Sink, ADA Compliant

TW235.



Product Information

Description

This ADA designed Corian sink attaches to 2 rail-attached stiles and has an integrated backsplash. The backslash can be specified with holes to accept a faucet (TW239). Drain assembly not included.

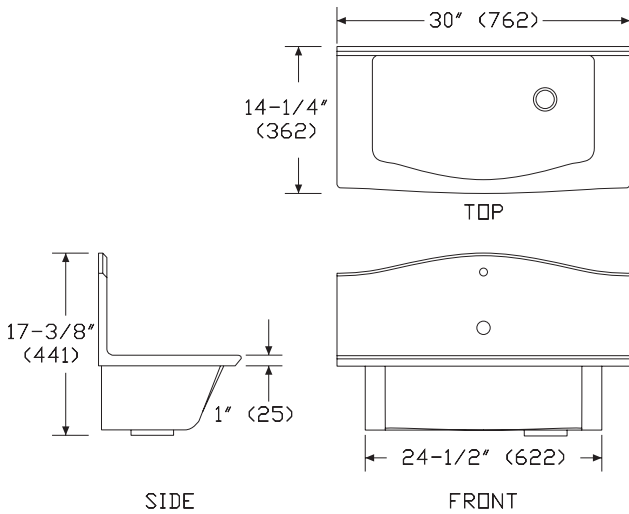
Notes

Sink does not have an overflow hole.

Specify the following products separately:

- Above sink tile (TW129)
- Faucet (TW239)

Dimensions



Specification Information

Step 1.

TW235.1330

Step 2. Type

H faucet holes

N no faucet holes

Prices for Steps 1-2.

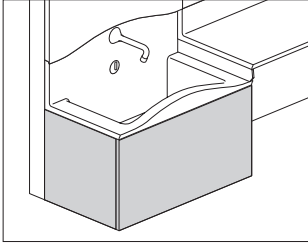
TW235.1330 H	\$3190
N	\$2962

Step 3. Surface Finish

1N canyon <input type="checkbox"/>	+\$210
CQ glacier white <input type="checkbox"/>	+\$0
QB bisque <input type="checkbox"/>	+\$0
1E flint <input type="checkbox"/>	+\$280
1S savannah <input type="checkbox"/>	+\$210
1U sahara <input type="checkbox"/>	+\$210
3I mojave <input type="checkbox"/>	+\$210
4I sandstone <input type="checkbox"/>	+\$210
58 cameo white <input type="checkbox"/>	+\$0
IQ aurora <input type="checkbox"/>	+\$210
OQ silt <input type="checkbox"/>	+\$210
Q1 vanilla <input type="checkbox"/>	+\$0
7I raffia <input type="checkbox"/>	+\$280
BLP blue pebble <input type="checkbox"/>	+\$280

Sink Enclosure

TW232.

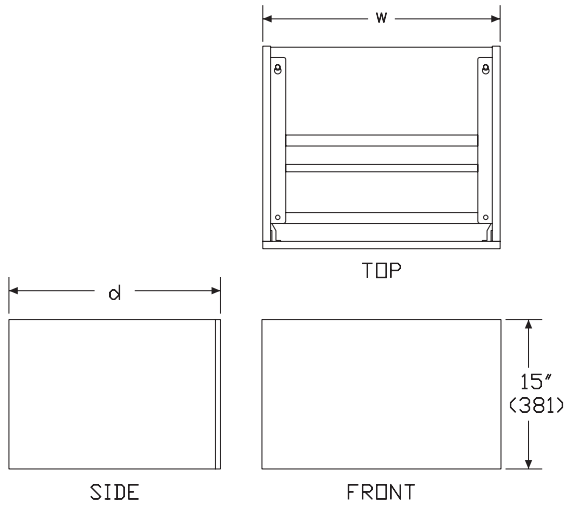


Compass™ Surfaces

Product Information

Description
 This enclosure attaches to a 13"- or 21"-deep sink to finish the area below the sink top and hide the plumbing. It has a 3D laminate surface. Durawrap™ 3D laminate is a 99.9% PVC-free material. Attachment hardware included.

Dimensions



Specification Information

Step 1.

TW232.

Step 2. Depth

- 13** 13" deep
- 21** 21" deep

Step 3. Width

For 13" deep (13)

- 24** 24" wide

For 21" deep (21)

- 24** 24" wide

Step 4. Surface Material

- A** durawrap™ 3D laminate
- P** 3D laminate A

Prices for Steps 1-4.

	A	P
TW232. 13 24	\$600	548
21 24	\$844	770

Step 5. Side Finish

Solid-Color

For durawrap™ 3D laminate (A)

- 91** white +\$0
- LU** soft white +\$0

Wood-Grain

For durawrap™ 3D laminate (A)

- 76** light brown walnut +\$10
- HX** aged cherry +\$10
- HM** natural maple +\$10
- PX** Nemschoff light cherry +\$10
- OG** honey maple +\$10

Sink Enclosure *continued*

For 3D laminate (P)

120	light maple woodgrain 3D laminate <input type="checkbox"/>	+\$0
121	golden maple woodgrain 3D laminate <input type="checkbox"/>	+\$0
122	brown walnut woodgrain 3D laminate <input type="checkbox"/>	+\$0
123	chocolate walnut woodgrain 3D laminate <input type="checkbox"/>	+\$0
124	warm cherry woodgrain 3D laminate <input type="checkbox"/>	+\$0
125	light teak woodgrain 3D laminate <input type="checkbox"/>	+\$10
126	basic white 3D laminate <input type="checkbox"/>	+\$0

Step 6. Front Finish

Solid-Color

For durawrap™ 3D laminate (A)

91	white	+\$0
LU	soft white	+\$0

Wood-Grain

For durawrap™ 3D laminate (A)

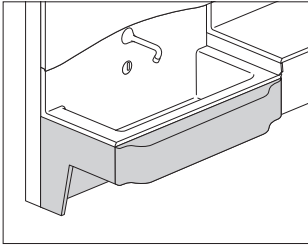
76	light brown walnut	+\$10
HX	aged cherry	+\$10
HM	natural maple	+\$10
PX	Nemschoff light cherry	+\$10
OG	honey maple	+\$10

For 3D laminate (P)

120	light maple woodgrain 3D laminate <input type="checkbox"/>	+\$0
121	golden maple woodgrain 3D laminate <input type="checkbox"/>	+\$0
122	brown walnut woodgrain 3D laminate <input type="checkbox"/>	+\$0
123	chocolate walnut woodgrain 3D laminate <input type="checkbox"/>	+\$0
124	warm cherry woodgrain 3D laminate <input type="checkbox"/>	+\$0
125	light teak woodgrain 3D laminate <input type="checkbox"/>	+\$10
126	basic white 3D laminate <input type="checkbox"/>	+\$0

Sink Enclosure, ADA-Compliant Sink

TW233.

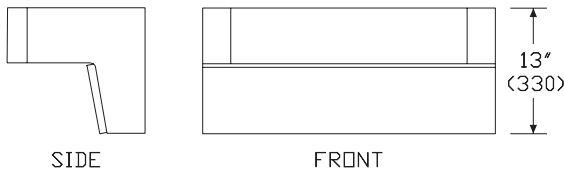
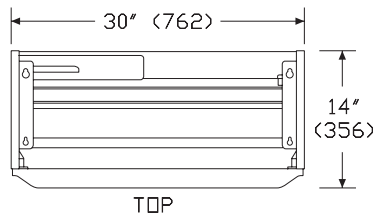


Compass™ Surfaces

Product Information

Description
 This enclosure attaches to an ADA sink to finish the area below the sink top and hide the plumbing. It has a 3D laminate surface. Durawrap™ 3D laminate is a 99.9% PVC-free material. Attachment hardware included.

Dimensions



Specification Information

Step 1.

TW233.1330

Step 2. Surface Material

A	durawrap™ 3D laminate	
P	3D laminate A	

Prices for Steps 1-2.

TW233.1330 A	\$762
P	\$696

Step 3. Side Finish

Solid-Color

For durawrap™ 3D laminate (A)

91	white	+\$0
LU	soft white	+\$0

Wood-Grain

For durawrap™ 3D laminate (A)

76	light brown walnut	+\$10
HM	natural maple	+\$10
HX	aged cherry	+\$10
OG	honey maple	+\$10
PX	Nemschoff light cherry	+\$10

For 3D laminate (P)

120	light maple woodgrain 3D laminate A	+\$0
121	golden maple woodgrain 3D laminate A	+\$0
122	brown walnut woodgrain 3D laminate A	+\$0
123	chocolate walnut woodgrain 3D laminate A	+\$0
124	warm cherry woodgrain 3D laminate A	+\$0
125	light teak woodgrain 3D laminate A	+\$10
126	basic white 3D laminate A	+\$0

Step 4. Front Finish

Solid-Color

For durawrap™ 3D laminate (A)

91	white	+\$0
LU	soft white	+\$0

Sink Enclosure, ADA-Compliant

Sink *continued*

Wood-Grain

For durawrap™ 3D laminate (A)

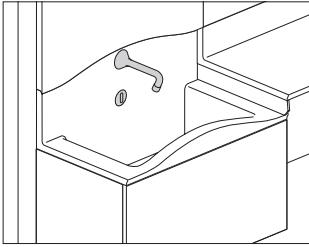
76	light brown walnut	+\$15
HM	natural maple	+\$15
HX	aged cherry	+\$15
OG	honey maple	+\$15
PX	Nemschoff light cherry	+\$15

For 3D laminate (P)

120	light maple woodgrain 3D laminate A	+\$0
121	golden maple woodgrain 3D laminate A	+\$0
122	brown walnut woodgrain 3D laminate A	+\$0
123	chocolate walnut woodgrain 3D laminate A	+\$0
124	warm cherry woodgrain 3D laminate A	+\$0
125	light teak woodgrain 3D laminate A	+\$15
126	basic white 3D laminate A	+\$0

Faucet

TW239.



Product Information

Description

This faucet is designed to work with a 13"-deep sink and includes a hands-free sensor. Supply-line hoses, shutoff valves, mixing valve and drain hardware not included.

Notes

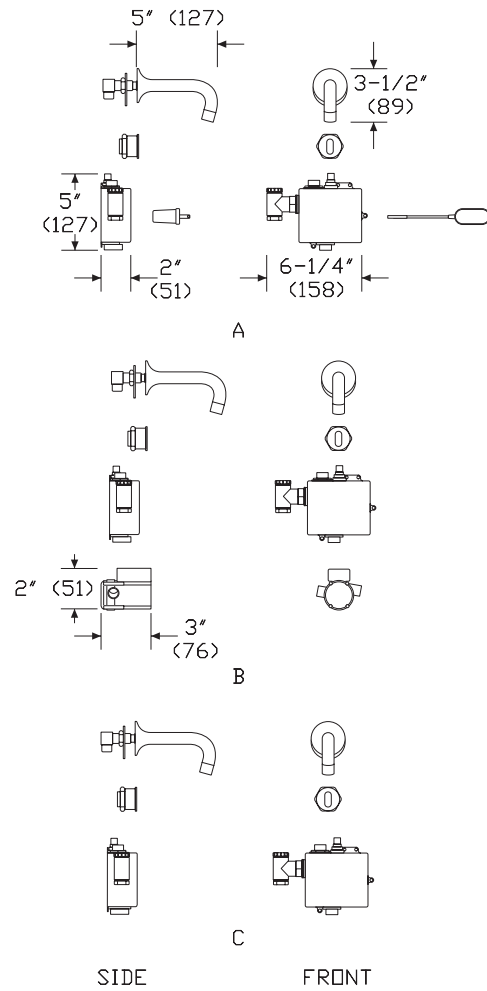
AC powered faucet sensor option (A) requires an electrical outlet to plug into. It is recommended that the outlet be located to fit inside the sink surround.

Hydro-powered faucet sensor option (B) is self charging and does not require an outlet.

Battery powered faucet sensor option (C) uses 4 AA batteries (included).

Compass™ Surfaces

Dimensions



Specification Information

Step 1.

TW239.

Step 2. Faucet Sensor Type

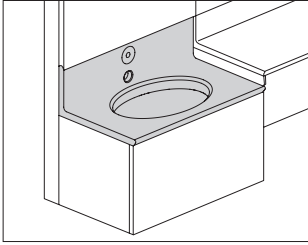
- A** ac powered faucet sensor
- B** hydro-powered faucet sensor
- C** battery powered faucet sensor

Prices for Steps 1-2.

TW239.A	\$1197
B	\$1387
C	\$1116

Sink, Basic 13" Deep

TW234.



Compass™ Surfaces

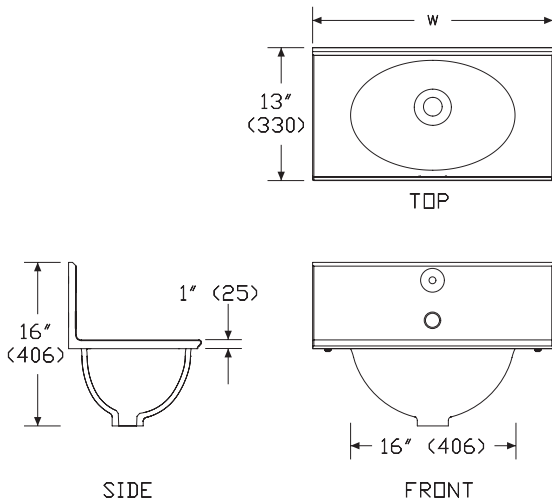
Product Information

Description
 This Corian® sink attaches to 2 rail-attached stiles and has an integrated backsplash. It can be specified with holes to accept a faucet. Drain assembly not included.

Notes

Sink bowl is a Corian glacier white finish.
 Sink does not have an overflow hole.
 Specify the following products separately:
 • Faucet (TW239.)
 • Sink enclosure (TW232.)

Dimensions



Specification Information

Step 1.

TW234.13

Step 2. Width

24 24" wide

Step 3. Type

H faucet holes

N no faucet holes

Prices for Steps 1-3.

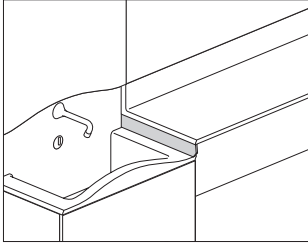
	H	N
TW234.13 24	\$1362	1311

Step 4. Sink Top Finish

1E	flint <input type="checkbox"/>	+\$140
1N	canyon <input type="checkbox"/>	+\$60
1S	savannah <input type="checkbox"/>	+\$60
1U	sahara <input type="checkbox"/>	+\$60
3I	mojave <input type="checkbox"/>	+\$60
4I	sandstone <input type="checkbox"/>	+\$60
58	cameo white <input type="checkbox"/>	+\$0
7I	raffia <input type="checkbox"/>	+\$140
BLP	blue pebble <input type="checkbox"/>	+\$140
CQ	glacier white <input type="checkbox"/>	+\$0
IQ	aurora <input type="checkbox"/>	+\$60
OQ	silt <input type="checkbox"/>	+\$60
Q1	vanilla <input type="checkbox"/>	+\$0
QB	bisque <input type="checkbox"/>	+\$0

Sidesplash

TW242.



Product Information

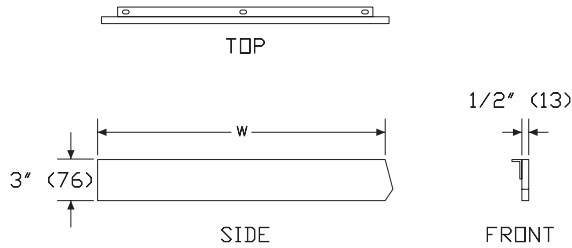
Description

This sidesplash attaches to the left or right side of a 13"- or 21"-deep sink top to fill the gap between the edge of the sink and an adjacent standing-height work surface. Finish is Corian®. Attachment hardware included.

Notes

It is recommended to caulk the seam between the sidesplash and surface.

Dimensions



Specification Information

Step 1.

TW242. [A]

Step 2. Width

13 13" wide [A]

21 21" wide [A]

Step 3. Orientation

L left [A]

R right [A]

Step 4. Attachment Method

A durawrap™ 3D laminate or 3D laminate work surface attachment [A]

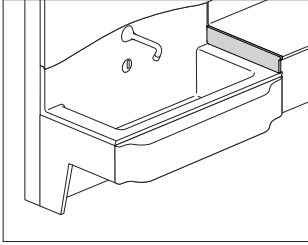
B corian work surface attachment [A]

Prices for Steps 1-4.

	A	B
TW242. 13 L	\$197	193
R	\$197	193
21 L	\$210	205
R	\$210	205

Step 5. Surface Finish

1N canyon [A]	+\$50
CQ glacier white [A]	+\$0
QB bisque [A]	+\$0
1E flint [A]	+\$75
1S savannah [A]	+\$50
1U sahara [A]	+\$50
3I mojave [A]	+\$50
4I sandstone [A]	+\$50
58 cameo white [A]	+\$0
IQ aurora [A]	+\$50
OQ silt [A]	+\$50
Q1 vanilla [A]	+\$0
7I raffia [A]	+\$75
BLP blue pebble [A]	+\$75



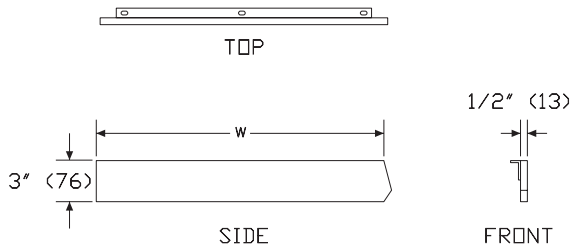
Compass™ Surfaces

Product Information

Description
 This sidesplash attaches to the left or right side of a 13"-deep ADA compliant sink top to fill the gap between the edge of the sink and an adjacent standing-height work surface. Finish is Corian®. Attachment hardware included.

Notes
 It is recommended to caulk the seam between the sidesplash and surface.

Dimensions



Specification Information

Step 1.

TW243. [A]

Step 2. Width

13 13" wide [A]

Step 3. Orientation

L left [A]

R right [A]

Step 4. Attachment Method

A durawrap™ 3D laminate or 3D laminate work surface attachment [A]

B corian work surface attachment [A]

Prices for Steps 1-4.

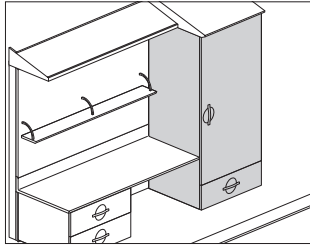
	A	B
TW243. 13 L	\$213	208
R	\$213	208

Step 5. Surface Finish

58	cameo white [A]	+\$0
CQ	glacier white [A]	+\$0
Q1	vanilla [A]	+\$0
QB	bisque [A]	+\$0
1N	canyon [A]	+\$50
1S	savannah [A]	+\$50
1U	sahara [A]	+\$50
3I	mojave [A]	+\$50
4I	sandstone [A]	+\$50
IQ	aurora [A]	+\$50
OQ	silt [A]	+\$50
1E	flint [A]	+\$75
7I	raffia [A]	+\$75
BLP	blue pebble [A]	+\$75

Wardrobe Cabinet

TW300.



Product Information

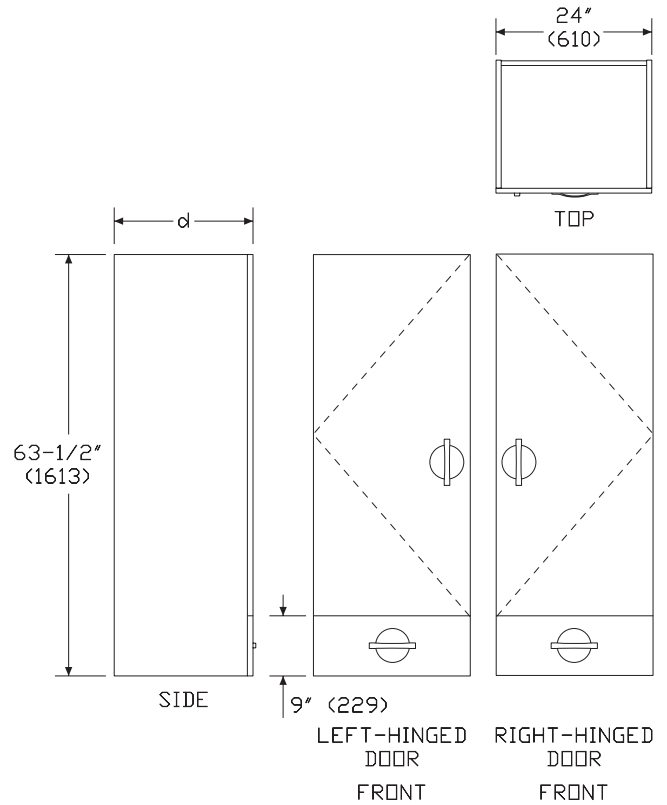
Description

This non-locking cabinet attaches to 2 64"-high rail-attached stiles to provide storage for patient clothing and personal items. It has an upper interior shelf and a rod for hangers, and is available with a lower drawer. Top of cabinet requires a sloped cabinet top close-out, specified separately. The outside of the cabinet and the door/drawer fronts have 3D laminate surfaces. Durawrap™ 3D laminate is a 99.9% PVC-free material.

Notes

- Drawer option (D) has full-extension ball-bearing slides.
- No drawer option (N) has a full-height door with an additional lower shelf.
- For bow pull option (C), pull finish is matte stainless. For arc pull option (D), pull finish is brushed nickel.
- Specify close-out, sloped cabinet top (TW406.) separately.
- Drawer liner will be installed if selected on unit.

Dimensions



Compass™ Storage

Specification Information

Step 1.

TW300.

Step 2. Depth

13 13" deep

21 21" deep

Step 3. Drawer Option

D drawer with fixed upper interior shelf and rod

N no drawer with fixed upper and lower interior shelf and rod

Step 4. Door Hinge Location

L left-hinged door

R right-hinged door

Step 5. Pull Type

B flex pull

C bow pull

D arc pull

N no pull

Step 6. Surface Material

A durawrap™ 3D laminate

P 3D laminate **A**

Prices for Steps 1-6.

	LBA	LBP	LCA	LCP	LDA	LDP
TW300.13 D	\$1786	1630	1771	1615	1771	1615
N	\$1600	1461	1593	1454	1593	1454
21 D	\$2068	1887	2053	1873	2053	1873
N	\$1771	1615	1763	1608	1763	1608
	LNA	LNP	RBA	RBP	RCA	RCP
TW300.13 D	\$1754	1601	1786	1630	1771	1615
N	\$1584	1446	1600	1461	1593	1454
21 D	\$2037	1858	2068	1887	2053	1873
N	\$1754	1601	1771	1615	1763	1608
	RDA	RDP	RNA	RNP		
TW300.13 D	\$1771	1615	1754	1601		
N	\$1593	1454	1584	1446		
21 D	\$2053	1873	2037	1858		
N	\$1763	1608	1754	1601		

Step 7. Top/Side Finish

Solid-Color

For durawrap™ 3D laminate (A)

91 white +\$0

LU soft white +\$0

Wood-Grain

For durawrap™ 3D laminate (A)

76 light brown walnut +\$25

HX aged cherry +\$25

HM natural maple +\$25

PX Nemschoff light cherry +\$25

OG honey maple +\$25

For 3D laminate (P)

120 light maple woodgrain 3D laminate **A** +\$0

121 golden maple woodgrain 3D laminate **A** +\$0

122 brown walnut woodgrain 3D laminate **A** +\$0

123 chocolate walnut woodgrain 3D laminate **A** +\$0

124 warm cherry woodgrain 3D laminate **A** +\$0

125 light teak woodgrain 3D laminate **A** +\$25

126 basic white 3D laminate **A** +\$0

Step 8. Front Finish

Solid-Color

For durawrap™ 3D laminate (A)

91 white +\$0

LU soft white +\$0

Wood-Grain

For durawrap™ 3D laminate (A)

76 light brown walnut +\$25

HX aged cherry +\$25

HM natural maple +\$25

PX Nemschoff light cherry +\$25

OG honey maple +\$25

For 3D laminate (P)

120 light maple woodgrain 3D laminate **A** +\$0

121 golden maple woodgrain 3D laminate **A** +\$0

122 brown walnut woodgrain 3D laminate **A** +\$0

123 chocolate walnut woodgrain 3D laminate **A** +\$0

124 warm cherry woodgrain 3D laminate **A** +\$0

125 light teak woodgrain 3D laminate **A** +\$25

126 basic white 3D laminate **A** +\$0

Wardrobe Cabinet *continued*

Step 9. Pull Finish

For flex pull (B)

63	fog	+\$0
5B	java	+\$0

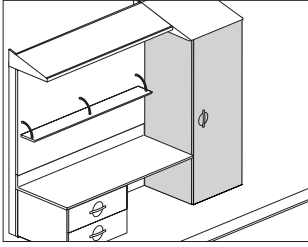
Step 10. Drawer Liner

For drawer with fixed upper interior shelf and rod (D)

NDL	no drawer liner	+\$0
DRL	drawer liner	+\$65

Full Height Storage Cabinet

TW302.



Compass™ Storage

Product Information

Description

This storage cabinet attaches to 2 64"-high rail-attached stiles to provide storage for supplies. It comes with 4 adjustable shelves or 2 adjustable shelves and a Co/Struc® adapter that mounts inside the cabinet. The adapter has 9 slots at 3" intervals to support Co/Struc storage components and accessories. The adapter allows the interior flexibility of Co/Struc storage products with the aesthetic of Compass™. If top of cabinet requires a sloped cabinet top close-out, specify separately. The outside of the cabinet and the door front have 3D laminate surfaces. Durawrap™ 3D laminate is a 99.9% PVC-free material.

Notes

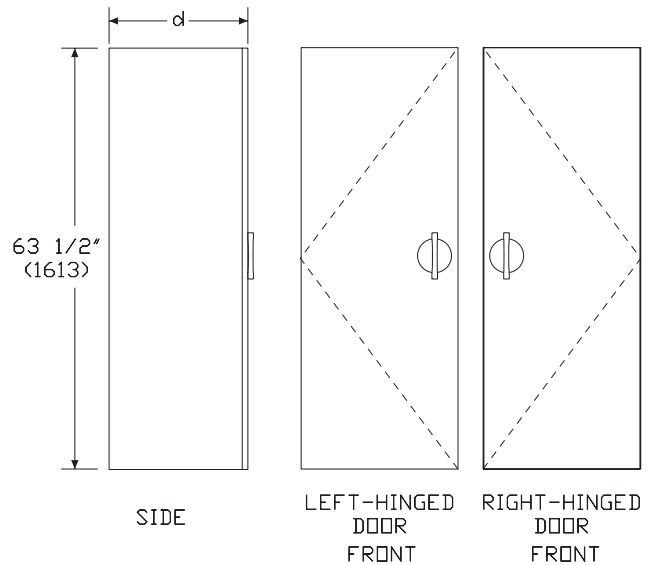
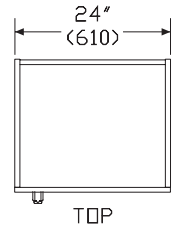
For Co/Struc adapter option (C), order storage components separately:

- A-, B-, or C-size drawer (CO207, CO208, or CO209)
- C tray/shelf (CO203)
- C wire shelf (CO252)

For bow pull option (C), pull finish is matte stainless. For arc pull option (D), pull finish is brushed nickel.

Specify close-out, sloped cabinet top (TW406.) separately.

Dimensions



Full Height Storage Cabinet *continued*

Specification Information

Step 1.

TW302.

Step 2. Depth

13 13" deep

21 21" deep

Step 3. Storage Options

For 13" deep (13)

A 4 adjustable shelves

For 21" deep (21)

A 4 adjustable shelves

C 2 adjustable shelves, Co/Struc adaptor included

Step 4. Door Hinge Location

L left-hinged door

R right-hinged door

Step 5. Pull Type

B flex pull

C bow pull

D arc pull

N no pull

Step 6. Storage Locks

L keyless lock

N no lock

Step 7. Surface Material

A durawrap™ 3D laminate

P 3D laminate

Prices for Steps 1-7.

	LBLA	LBLP	LBNA	LBNP	LCLA	LCLP
TW302. 13 A	\$2477	2300	2215	2040	2453	2278
21 A	\$2999	2806	2738	2545	2969	2779
C	\$3131	2937	2869	2676	3100	2908
	LCNA	LCNP	LDLA	LDLP	LDNA	LDNP
TW302. 13 A	\$2194	2020	2453	2278	2194	2020
21 A	\$2712	2521	2969	2779	2712	2521
C	\$2841	2650	3100	2908	2841	2650

	LNLA	LNLP	LNNA	LNNP	RBLA	RBLP
TW302. 13 A	\$2355	2185	2094	1926	2477	2300
21 A	\$2875	2680	2614	2423	2999	2806
C	\$3005	2812	2745	2553	3131	2937

	RBNA	RBNP	RCLA	RCLP	RCNA	RCNP
TW302. 13 A	\$2215	2040	2453	2278	2194	2020
21 A	\$2738	2545	2969	2779	2712	2521
C	\$2869	2676	3100	2908	2841	2650

	RDLA	RDLP	RDNA	RDNP	RNLA	RNLP
TW302. 13 A	\$2453	2278	2194	2020	2355	2185
21 A	\$2969	2779	2712	2521	2875	2680
C	\$3100	2908	2841	2650	3005	2812

	RNNA	RNNP
TW302. 13 A	\$2094	1926
21 A	\$2614	2423
C	\$2745	2553

Step 8. Top/Side Finish

Solid-Color

For durawrap™ 3D laminate (A)

91 white +\$0

LU soft white +\$0

Wood-Grain

For durawrap™ 3D laminate (A)

76 light brown walnut +\$25

HX aged cherry +\$25

HM natural maple +\$25

PX Nemschoff light cherry +\$25

OG honey maple +\$25

For 3D laminate (P)

120 light maple woodgrain 3D laminate +\$0

121 golden maple woodgrain 3D laminate +\$0

122 brown walnut woodgrain 3D laminate +\$0

123 chocolate walnut woodgrain 3D laminate +\$0

124 warm cherry woodgrain 3D laminate +\$0

125 light teak woodgrain 3D laminate +\$25

126 basic white 3D laminate +\$0

Full Height Storage Cabinet *continued*

Compass™ Storage

Step 9. Front Finish

Solid-Color

For durawrap™ 3D laminate (A)

91	white	+\$0
LU	soft white	+\$0

Wood-Grain

For durawrap™ 3D laminate (A)

76	light brown walnut	+\$25
HX	aged cherry	+\$25
HM	natural maple	+\$25
PX	Nemschoff light cherry	+\$25
OG	honey maple	+\$25

For 3D laminate (P)

120	light maple woodgrain 3D laminate	+\$0
121	golden maple woodgrain 3D laminate	+\$0
122	brown walnut woodgrain 3D laminate	+\$0
123	chocolate walnut woodgrain 3D laminate	+\$0
124	warm cherry woodgrain 3D laminate	+\$0
125	light teak woodgrain 3D laminate	+\$25
126	basic white 3D laminate	+\$0

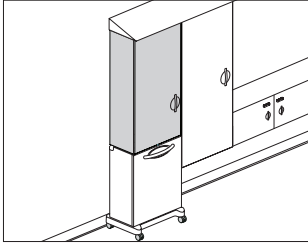
Step 10. Pull Finish

For flex pull (B)

5B	java	+\$0
63	fog	+\$0

Half-Height Storage Cabinet

TW305.



Product Information

Description

This half-height storage cabinet attaches to 2 64"-high rail-attached stiles to provide storage for supplies. It has 3 adjustable shelves. It is 45 1/2" high to allow for a refrigerator, equipment, or linen cart to stow below. If top of cabinet requires a sloped cabinet top close-out, specify separately. The outside of the cabinet and the door front have 3D laminate surfaces. Durawrap™ 3D laminate is a 99.9% PVC-free material.

Notes

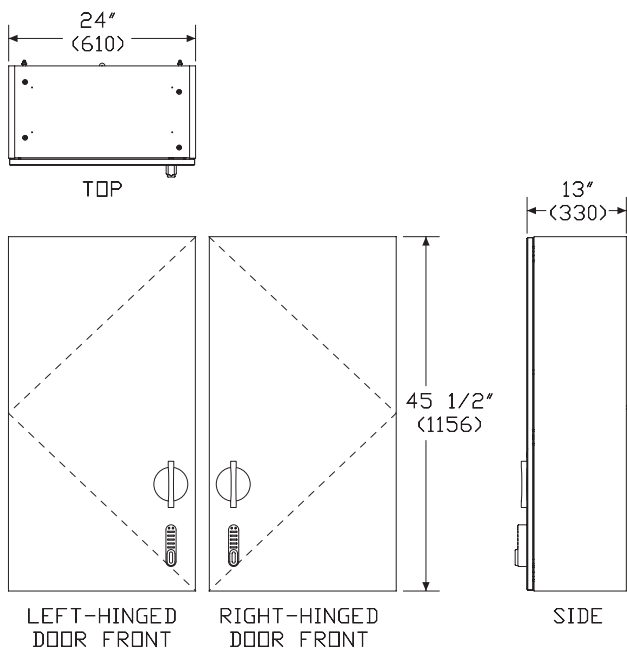
For bow pull option (C), pull finish is matte stainless. For arc pull option (D), pull finish is brushed nickel.

Specify close-out, sloped cabinet top (TW406.) separately.

If using a linen cart (TW501.) with this cabinet, specify linen cart tile with backsplash (TW130.BW) separately. Bottom of cabinet has hole template to facilitate installation of linen cart guides included with linen cart tile.

When no linen cart will be used, specify 24" work surface tile with backsplash (TW124.24BW) separately.

Dimensions



Specification Information

Step 1.

TW305.

Step 2. Depth

13 13" deep

Step 3. Storage Options

H 3 adjustable shelves

Step 4. Door Hinge Location

L left-hinged door

R right-hinged door

Step 5. Pull Type

B flex pull

C bow pull

D arc pull

N no pull

Step 6. Storage Locks

L keyless lock

N no lock

Step 7. Surface Material

A durawrap™ 3D laminate

P 3D laminate

Prices for Steps 1-7.

	LBLA	LBLP	LBNA	LBNP	LCLA	LCLP
TW305.13 H	\$2079	1906	1815	1644	2059	1887
	LCNA	LCNP	LDLA	LDLP	LDNA	LDNP
TW305.13 H	\$1798	1628	2059	1887	1798	1628
	LNLA	LNLP	LNNA	LNNP	RBLA	RBLP
TW305.13 H	\$1961	1792	1704	1532	2079	1906
	RBNA	RBNP	RCLA	RCLP	RCNA	RCNP
TW305.13 H	\$1815	1644	2059	1887	1798	1628
	RDLA	RDLP	RDNA	RDNP	RNLA	RNLP
TW305.13 H	\$2059	1887	1798	1628	1961	1792
	RNNA	RNNP				
TW305.13 H	\$1704	1532				

Half-Height Storage Cabinet

continued

Compass™ Storage

Step 8. Top/Side Finish

Solid-Color		
<i>For durawrap™ 3D laminate (A)</i>		
91	white	+\$0
LU	soft white	+\$0

Wood-Grain		
<i>For durawrap™ 3D laminate (A)</i>		
76	light brown walnut	+\$25
HX	aged cherry	+\$25
HM	natural maple	+\$25
PX	Nemschoff light cherry	+\$25
OG	honey maple	+\$25

<i>For 3D laminate (P)</i>		
120	light maple woodgrain 3D laminate	+\$0
121	golden maple woodgrain 3D laminate	+\$0
122	brown walnut woodgrain 3D laminate	+\$0
123	chocolate walnut woodgrain 3D laminate	+\$0
124	warm cherry woodgrain 3D laminate	+\$0
125	light teak woodgrain 3D laminate	+\$25
126	basic white 3D laminate	+\$0

Step 9. Front Finish

Solid-Color		
<i>For durawrap™ 3D laminate (A)</i>		
91	white	+\$0
LU	soft white	+\$0

Wood-Grain		
<i>For durawrap™ 3D laminate (A)</i>		
76	light brown walnut	+\$25
HX	aged cherry	+\$25
HM	natural maple	+\$25
PX	Nemschoff light cherry	+\$25
OG	honey maple	+\$25

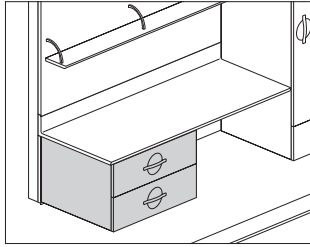
<i>For 3D laminate (P)</i>		
120	light maple woodgrain 3D laminate	+\$0
121	golden maple woodgrain 3D laminate	+\$0
122	brown walnut woodgrain 3D laminate	+\$0
123	chocolate walnut woodgrain 3D laminate	+\$0
124	warm cherry woodgrain 3D laminate	+\$0
125	light teak woodgrain 3D laminate	+\$25
126	basic white 3D laminate	+\$0

Step 10. Pull Finish

<i>For flex pull (B)</i>		
5B	java	+\$0
63	fog	+\$0

Drawer Module

TW310.



Product Information

Description

This module attaches to 2 rail-attached stiles to provide storage below a work surface and has drawers with full-extension ball-bearing slides. The outside of the module and the drawer fronts have 3D laminate surfaces. Durawrap™ 3D laminate is a 99.9% PVC-free material.

Notes

For bow pull option (C), pull finish is matte stainless. For arc pull option (D), pull finish is brushed nickel.

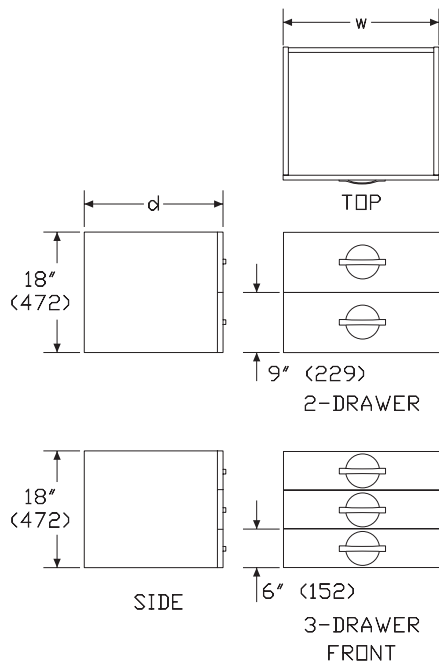
Lock option (L) locks the top drawer only.

Specify work surface (TW210.) separately.

It is recommended to order a work surface with a backsplash. If ordering a work surface without a backsplash, a special-height mini-tile would need to be ordered.

Drawer liner will be installed if selected on unit.

Dimensions



Specification Information

Step 1.

TW310.

Step 2. Depth

13 13" deep
21 21" deep

Step 3. Width

18 18" wide
24 24" wide

Step 4. Configuration

2 9"-high drawers
3 6"-high drawers

Step 5. Pull Type

B flex pull
C bow pull
D arc pull
N no pull

Step 6. Lock

L lock
N no lock

Step 7. Surface Material

A durawrap™ 3D laminate
P 3D laminate

Prices for Steps 1-7.

		2BLA	2BLP	2BNA	2BNP	2CLA	2CLP
TW310.13	18	\$1347	1227	993	903	1332	1211
	24	\$1398	1277	1044	954	1383	1262
	21 18	\$1585	1442	1230	1118	1570	1427
	24	\$1636	1493	1280	1169	1620	1477
		2CNA	2CNP	2DLA	2DLP	2DNA	2DNP
TW310.13	18	\$977	888	1332	1211	977	888
	24	\$1028	938	1383	1262	1028	938
	21 18	\$1213	1103	1570	1427	1213	1103
	24	\$1264	1154	1620	1477	1264	1154
		2NLA	2NLP	2NNA	2NNP	3BLA	3BLP
TW310.13	18	\$1316	1197	961	872	1467	1334
	24	\$1367	1248	1011	923	1518	1385

Drawer Module *continued*

Compass™ Storage

	21 18	\$1552	1412	1198	1088	1704	1550
	24	\$1603	1463	1249	1138	1754	1601
		3BNA	3BNP	3CLA	3CLP	3CNA	3CNP
TW310.13	18	\$1112	1010	1442	1312	1087	988
	24	\$1163	1061	1493	1363	1137	1039
	21 18	\$1347	1227	1679	1527	1323	1203
	24	\$1398	1277	1730	1578	1374	1254
		3DLA	3DLP	3DNA	3DNP	3NLA	3NLP
TW310.13	18	\$1442	1312	1087	988	1417	1289
	24	\$1493	1363	1137	1039	1468	1339
	21 18	\$1679	1527	1323	1203	1654	1506
	24	\$1730	1578	1374	1254	1705	1556
				3NNA	3NNP		
TW310.13	18			\$1062	965		
	24			\$1113	1015		
	21 18			\$1300	1181		
	24			\$1350	1232		

Step 8. Top/Side Finish

Solid-Color

For durawrap™ 3D laminate (A)

91	white	+\$0
LU	soft white	+\$0

Wood-Grain

For durawrap™ 3D laminate (A)

76	light brown walnut	+\$10
HX	aged cherry	+\$10
HM	natural maple	+\$10
PX	Nemschoff light cherry	+\$10
OG	honey maple	+\$10

For 3D laminate (P)

120	light maple woodgrain 3D laminate A	+\$0
121	golden maple woodgrain 3D laminate A	+\$0
122	brown walnut woodgrain 3D laminate A	+\$0
123	chocolate walnut woodgrain 3D laminate A	+\$0
124	warm cherry woodgrain 3D laminate A	+\$0
125	light teak woodgrain 3D laminate A	+\$10
126	basic white 3D laminate A	+\$0

Step 9. Front Finish

Solid-Color

For durawrap™ 3D laminate (A)

91	white	+\$0
LU	soft white	+\$0

Wood-Grain

For durawrap™ 3D laminate (A)

76	light brown walnut	+\$10
HX	aged cherry	+\$10
HM	natural maple	+\$10
PX	Nemschoff light cherry	+\$10
OG	honey maple	+\$10

For 3D laminate (P)

120	light maple woodgrain 3D laminate A	+\$0
121	golden maple woodgrain 3D laminate A	+\$0
122	brown walnut woodgrain 3D laminate A	+\$0
123	chocolate walnut woodgrain 3D laminate A	+\$0
124	warm cherry woodgrain 3D laminate A	+\$0
125	light teak woodgrain 3D laminate A	+\$10
126	basic white 3D laminate A	+\$0

Step 10. Pull Finish

For flex pull (B)

63	fog	+\$0
5B	java	+\$0

Step 11. Drawer Liner

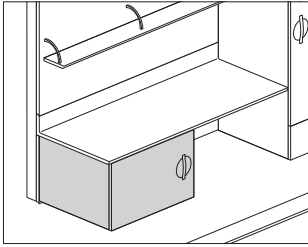
For 18" wide (18)

NDL	no drawer liner	+\$0
------------	-----------------	------

For 24" wide (24)

		2	3
NDL	no drawer liner	+\$0	0
DRL	drawer liner	+\$130	225

Lower Storage Cabinet with Doors TW312.



Product Information

Description

This storage cabinet comes in 3 widths and 13" & 21" depths and includes a wall saver. A fixed shelf is located 4" from the bottom of the interior cabinet. Interior cabinet color is white.

Notes

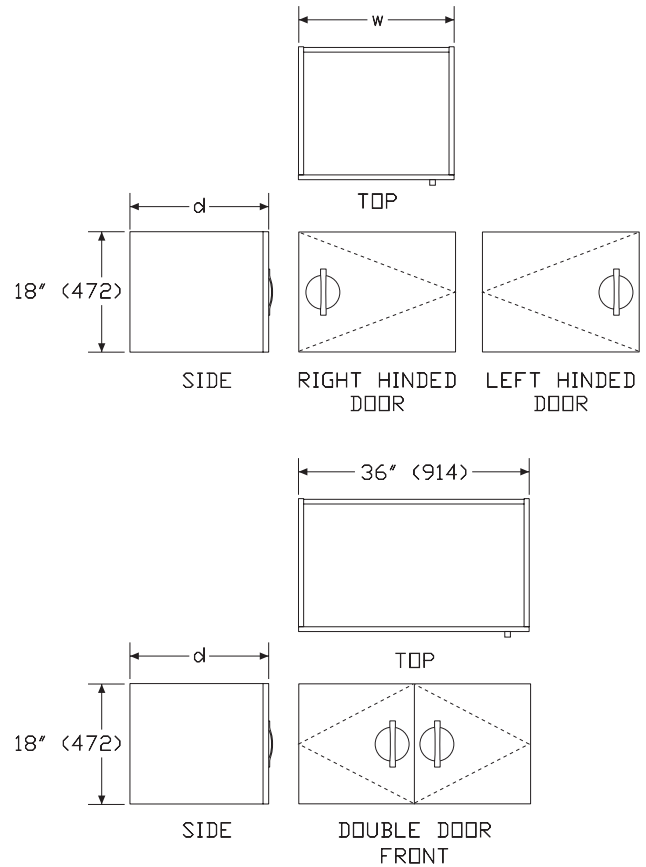
Specify work surface (TW210./TW211.) separately to close off the top. For power access (P), specify utility support rail (TW170.) and 2 single-gang electrical junction box attachment brackets with or without J-box (TW172.) separately.

It is recommended to order a work surface with a backsplash. If ordering a work surface without a backsplash, a special-height mini-tile would need to be ordered.

For lock option (L), one door has a keyless lock and the other door has a keyed lock.

For the flex pull (B), bow pull (C), and arc pull (D), the doors contain a pocket behind the handle. The no pull (N) door contains no pocket.

Dimensions



Compass™ Storage

Lower Storage Cabinet with Doors

continued

Compass™ Storage

Specification Information

Step 1.

TW312.

Step 2. Depth

13 13" deep

21 21" deep

Step 3. Width

18 18" wide

24 24" wide

36 36" wide

Step 4. Door

For 18" wide (18) or 24" wide (24)

L left-hinged door

R right-hinged door

For 36" wide (36)

D double doors

Step 5. Pull Type

N no pull

B flex pull

C bow pull

D arc pull

Step 6. Lock

N no lock

L lock

Step 7. Surface Material

A durawrap™ 3D laminate

P 3D laminate A

Prices for Steps 1-7.

	DNNA	DNNP	DNLA	DNLP	DBNA	DBNP
TW312.13 36	\$1042	951	1374	1253	1088	992
21 36	\$1263	1153	1596	1456	1310	1195
	DBLA	DBLP	DCNA	DCNP	DCLA	DCLP
TW312.13 36	\$1420	1295	1065	971	1397	1274
21 36	\$1643	1498	1287	1173	1619	1476

	DDNA	DDNP	DDLA	DDLP	LNNA	LNNP
TW312.13 18	—	—	—	—	\$896	812
24	—	—	—	—	\$946	863
36	\$1275	1163	1563	1425	—	—
21 18	—	—	—	—	\$1118	1014
24	—	—	—	—	\$1169	1065
36	\$1439	1312	1730	1578	—	—

	LNLA	LNLP	LBNA	LBNP	LBLA	LBLP
TW312.13 18	\$1229	1116	926	841	1259	1144
24	\$1279	1167	977	892	1310	1195
21 18	\$1450	1318	1148	1043	1480	1345
24	\$1501	1369	1199	1094	1531	1396

	LCNA	LCNP	LCLA	LCLP	LDNA	LDNP
TW312.13 18	\$912	827	1244	1130	912	827
24	\$963	877	1295	1181	963	877
21 18	\$1133	1029	1466	1029	1133	1029
24	\$1184	1079	1517	1383	1184	1079

	LDLA	LDLP	RNNA	RNNP	RNLA	RNLP
TW312.13 18	\$1244	1130	896	812	1229	1116
24	\$1295	1181	946	863	1279	1167
21 18	\$1466	1332	1118	1014	1450	1318
24	\$1517	1383	1169	1065	1501	1369

	RBNA	RBNP	RBLA	RBLP	RCNA	RCNP
TW312.13 18	\$926	841	1259	1144	912	827
24	\$977	892	1310	1195	963	877
21 18	\$1148	1043	1480	1345	1133	1029
24	\$1199	1094	1531	1396	1184	1079

	RCLA	RCLP	RDNA	RDNP	RDLA	RCLP
TW312.13 18	\$1244	1130	912	827	1244	1130
24	\$1295	1181	963	877	1295	1181
21 18	\$1466	1029	1133	1029	1466	1332
24	\$1517	1383	1184	1079	1517	1383

Step 8. Power Access

N	no power access	+\$0
P	power access	+\$30

Lower Storage Cabinet with Doors

continued

Step 9. Top/Side Finish

Solid-Color

For durawrap™ 3D laminate (A)

91	white	+\$0
LU	soft white	+\$0

Wood-Grain

For durawrap™ 3D laminate (A)

76	light brown walnut	+\$25
HM	natural maple	+\$25
HX	aged cherry	+\$25
OG	honey maple	+\$25
PX	Nemschoff light cherry	+\$25

For 3D laminate (P)

120	light maple woodgrain 3D laminate <input type="checkbox"/>	+\$0
121	golden maple woodgrain 3D laminate <input type="checkbox"/>	+\$0
122	brown walnut woodgrain 3D laminate <input type="checkbox"/>	+\$0
123	chocolate walnut woodgrain 3D laminate <input type="checkbox"/>	+\$0
124	warm cherry woodgrain 3D laminate <input type="checkbox"/>	+\$0
125	light teak woodgrain 3D laminate <input type="checkbox"/>	+\$25
126	basic white 3D laminate <input type="checkbox"/>	+\$0

Step 10. Door Finish

Solid-Color

For durawrap™ 3D laminate (A)

91	white	+\$0
LU	soft white	+\$0

Wood-Grain

For durawrap™ 3D laminate (A)

76	light brown walnut	+\$25
HM	natural maple	+\$25
HX	aged cherry	+\$25
OG	honey maple	+\$25
PX	Nemschoff light cherry	+\$25

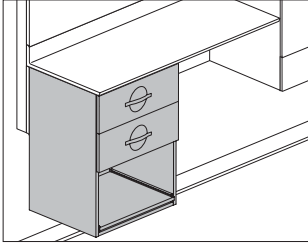
For 3D laminate (P)

120	light maple woodgrain 3D laminate <input type="checkbox"/>	+\$0
121	golden maple woodgrain 3D laminate <input type="checkbox"/>	+\$0
122	brown walnut woodgrain 3D laminate <input type="checkbox"/>	+\$0
123	chocolate walnut woodgrain 3D laminate <input type="checkbox"/>	+\$0
124	warm cherry woodgrain 3D laminate <input type="checkbox"/>	+\$0
125	light teak woodgrain 3D laminate <input type="checkbox"/>	+\$25
126	basic white 3D laminate <input type="checkbox"/>	+\$0

Step 11. Pull Finish

For flex pull (B)

63	fog	+\$0
5B	java	+\$0



Compass™ Storage

Product Information

Description

This 24"-wide nonpowered storage module attaches to 2 rail-attached stiles to provide storage below a work surface. It has drawers with full-extension ball-bearing slides. Below the drawers is an open cabinet with a fixed-height slide-out shelf to support a printer. Back panel has an 8" x 10" sealed opening for ease of wiring. Cabinet interior has a white melamine surface. The outside of the cabinet has a 3D laminate surface. Durawrap is 99.9% PVC free. Includes a wall saver to protect the architectural wall behind the module.

Notes

For bow pull option (C), pull finish is matte stainless. For arc pull option (D), pull finish is brushed nickel.

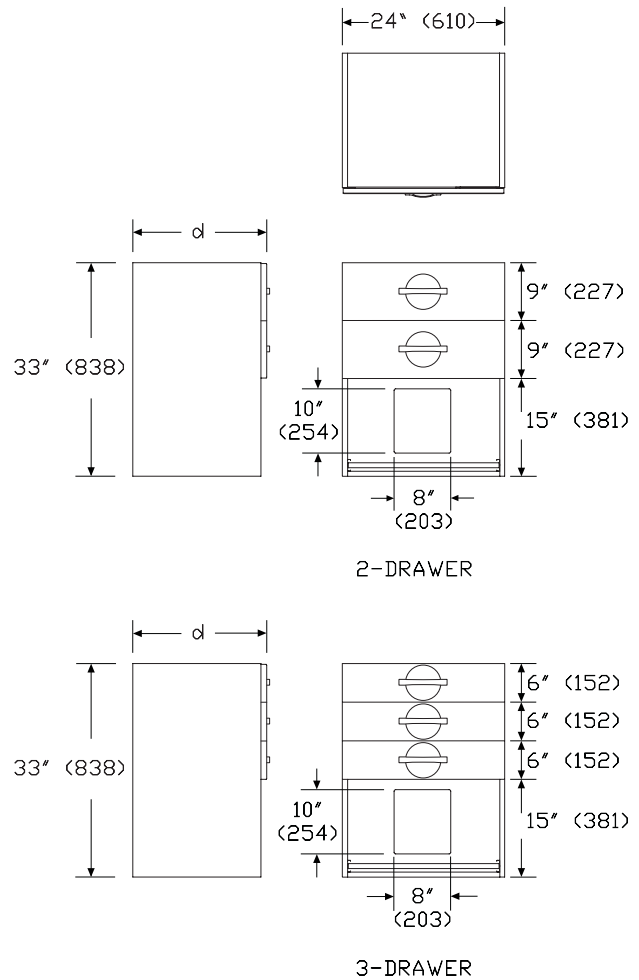
Lock option (L) locks the top drawer only.

Specify work surface (TW210.) separately.

It is recommended to order a work surface with a backsplash. If ordering a work surface without a backsplash, a special-height mini-tile would need to be ordered.

Drawer liner will be installed if selected on unit.

Dimensions



Specification Information

Step 1.

TW314.

Step 2. Depth

- 13** 13" deep
- 21** 21" deep

Step 3. Configuration

- 2** 9"-high drawers
- 3** 6"-high drawers

Step 4. Pull Type

- B** flex pull
- C** bow pull
- D** arc pull
- N** no pull

Step 5. Lock

- L** lock
- N** no lock

Step 6. Surface Material

- A** durawrap™ 3D laminate
- P** 3D laminate A

Prices for Steps 1-6.

	BLA	BLP	BNA	BNP	CLA	CLP
TW314. 13 2	\$1819	1659	1544	1408	1863	1699
3	\$1975	1800	1701	1550	2043	1862
21 2	\$2220	2024	1945	1775	2265	2065
3	\$2354	2147	2080	1897	2421	2208
	CNA	CNP	DLA	DLP	DNA	DNP
TW314. 13 2	\$1590	1449	1819	1659	1544	1408
3	\$1769	1612	1975	1800	1701	1550
21 2	\$1991	1816	2220	2024	1945	1775
3	\$2147	1957	2354	2147	2080	1897
	NLA	NLP	NNA	NNP		
TW314. 13 2		\$1751	1597	1476	1346	
3		\$1884	1719	1611	1469	
21 2		\$2152	1962	1878	1713	
3		\$2263	2064	1990	1815	

Step 7. Top/Side Finish

Solid-Color

For durawrap™ 3D laminate (A)

- 91** white +\$0
- LU** soft white +\$0

Wood-Grain

For durawrap™ 3D laminate (A)

- 76** light brown walnut +\$10
- HM** natural maple +\$10
- HX** aged cherry +\$10
- OG** honey maple +\$10
- PX** Nemschoff light cherry +\$10

For 3D laminate (P)

- 120** light maple woodgrain 3D laminate A +\$0
- 121** golden maple woodgrain 3D laminate A +\$0
- 122** brown walnut woodgrain 3D laminate A +\$0
- 123** chocolate walnut woodgrain 3D laminate A +\$0
- 124** warm cherry woodgrain 3D laminate A +\$0
- 125** light teak woodgrain 3D laminate A +\$10
- 126** basic white 3D laminate A +\$0

Step 8. Front Finish

Solid-Color

For durawrap™ 3D laminate (A)

- 91** white +\$0
- LU** soft white +\$0

Wood-Grain

For durawrap™ 3D laminate (A)

- 76** light brown walnut +\$10
- HM** natural maple +\$10
- HX** aged cherry +\$10
- OG** honey maple +\$10
- PX** Nemschoff light cherry +\$10

For 3D laminate (P)

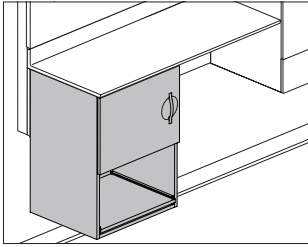
- 120** light maple woodgrain 3D laminate A +\$0
- 121** golden maple woodgrain 3D laminate A +\$0
- 122** brown walnut woodgrain 3D laminate A +\$0
- 123** chocolate walnut woodgrain 3D laminate A +\$0
- 124** warm cherry woodgrain 3D laminate A +\$0
- 125** light teak woodgrain 3D laminate A +\$10
- 126** basic white 3D laminate A +\$0

Drawer and Printer Module *continued*

Step 9. Pull Finish		
<i>For flex pull (B)</i>		
63	fog	+\$0
5B	java	+\$0

Step 10. Drawer Liner			
		2	3
NDL	no drawer liner	+\$0	0
DRL	drawer liner	+\$130	225

Compass™ Storage



Product Information

Description

This 24"-wide nonpowered module attaches to 2 rail-attached stiles to provide storage below a work surface. Below the storage cabinet is an open cabinet with a fixed-height slide-out shelf to support a printer. Back panel has an 8" x 10" sealed opening for ease of wiring. Cabinet interior has a white melamine surface. The outside of the cabinet has a 3D laminate surface. Durawrap is 99.9% PVC free. Includes a wall saver to protect the architectural wall behind the module.

Notes

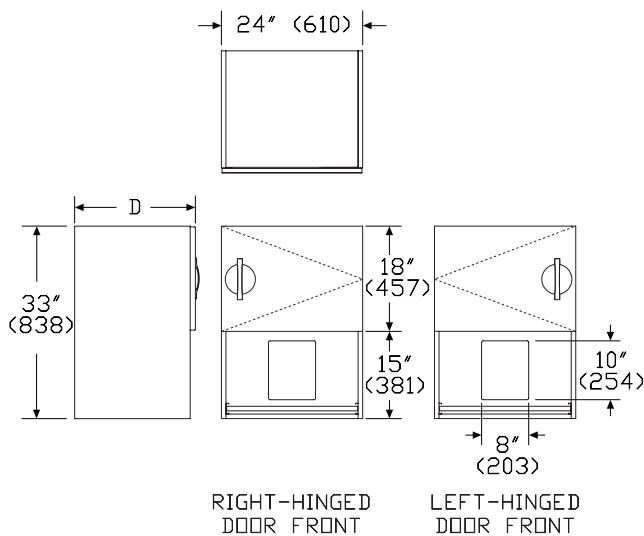
For bow pull option (C), pull finish is matte stainless. For arc pull option (D), pull finish is brushed nickel.

Specify work surface (TW210.) separately.

It is recommended to order a work surface with a backsplash. If ordering a work surface without a backsplash, a special-height mini-tile would need to be ordered.

For flex pull (B), bow pull (C), and arc pull (D) options, the doors contain a pocket behind the handle. The no pull (N) door contains no pocket.

Dimensions



Specification Information

Step 1.

TW315.

Step 2. Depth

- 13** 13" deep
- 21** 21" deep

Step 3. Door

- L** left-hinged door
- R** right-hinged door

Step 4. Pull Type

- B** flex pull
- C** bow pull
- D** arc pull
- N** no pull

Step 5. Lock

- L** lock
- N** no lock

Step 6. Surface Material

- A** durawrap™ 3D laminate
- P** 3D laminate A

Prices for Steps 1-6.

	BLA	BLP	BNA	BNP	CLA	CLP
TW315.13 L	\$1531	1396	1289	1175	1553	1417
R	\$1531	1396	1289	1175	1553	1417
21 L	\$1863	1699	1628	1484	1885	1720
R	\$1863	1699	1628	1484	1885	1720
	CNA	CNP	DLA	DLP	DNA	DNP
TW315.13 L	\$1311	1196	1531	1396	1289	1175
R	\$1311	1196	1531	1396	1289	1175
21 L	\$1650	1505	1863	1699	1628	1484
R	\$1650	1505	1863	1699	1628	1484
	NLA	NLP	NNA	NNP		
TW315.13 L		\$1498	1366	1255	1144	
R		\$1498	1366	1255	1144	
21 L		\$1830	1668	1594	1454	
R		\$1830	1668	1594	1454	

Storage and Printer Module

continued

Compass™ Storage

Step 7. Top/Side Finish

Solid-Color		
<i>For durawrap™ 3D laminate (A)</i>		
91	white	+\$0
LU	soft white	+\$0

Wood-Grain		
<i>For durawrap™ 3D laminate (A)</i>		
76	light brown walnut	+\$10
HM	natural maple	+\$10
HX	aged cherry	+\$10
OG	honey maple	+\$10
PX	Nemschoff light cherry	+\$10

<i>For 3D laminate (P)</i>		
120	light maple woodgrain 3D laminate A	+\$0
121	golden maple woodgrain 3D laminate A	+\$0
122	brown walnut woodgrain 3D laminate A	+\$0
123	chocolate walnut woodgrain 3D laminate A	+\$0
124	warm cherry woodgrain 3D laminate A	+\$0
125	light teak woodgrain 3D laminate A	+\$10
126	basic white 3D laminate A	+\$0

Step 8. Door Finish

Solid-Color Laminate		
<i>For durawrap™ 3D laminate (A)</i>		
91	white	+\$0
LU	soft white	+\$0

Wood-Grain Laminate		
<i>For durawrap™ 3D laminate (A)</i>		
76	light brown walnut	+\$10
HM	natural maple	+\$10
HX	aged cherry	+\$10
OG	honey maple	+\$10
PX	Nemschoff light cherry	+\$10

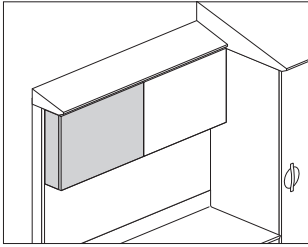
<i>For 3D laminate (P)</i>		
120	light maple woodgrain 3D laminate	+\$0
121	golden maple woodgrain 3D laminate	+\$0
122	brown walnut woodgrain 3D laminate	+\$0
123	chocolate walnut woodgrain 3D laminate	+\$0
124	warm cherry woodgrain 3D laminate	+\$0
125	light teak woodgrain 3D laminate	+\$10
126	basic white 3D laminate	+\$0

Step 9. Pull Finish

<i>For flex pull (B)</i>		
63	fog	+\$0
5B	java	+\$0

Storage Cabinet

TW320.



Product Information

Description

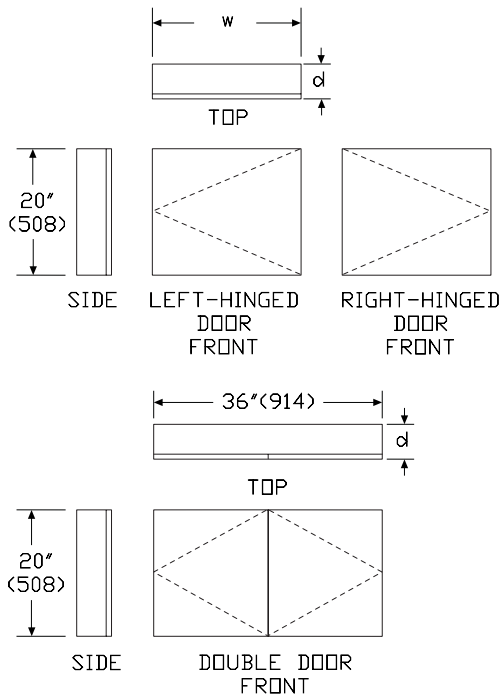
This non-locking cabinet attaches to 2 rail-attached stiles in the upper tile position to provide small and medium item storage. Hinged door(s) have a magnetic closure. Cabinet interior has white melamine surface. The outside of the cabinet has a 3D laminate surface. Durawrap™ 3D laminate is a 99.9% PVC-free material.

Notes

For 13" deep upper storage cabinet (13), order 21" deep lower storage products.

For 6" deep (06) or 9" deep upper storage cabinet (09), order 13" deep or 21" deep lower storage products.

Dimensions



Specification Information

Step 1.

TW320.

Step 2. Depth

- 06** 6" deep
- 09** 9" deep
- 13** 13" deep

Step 3. Width

- 18** 18" wide
- 24** 24" wide
- 30** 30" wide
- 36** 36" wide

Step 4. Door Hinge Location

For 18" wide (18), 24" wide (24), or 30" wide (30)

- L** left-hinged door
- R** right-hinged door

For 36" wide (36)

- D** double doors

Step 5. Surface Material

- A** durawrap™ 3D laminate
- P** 3D laminate **A**

Prices for Steps 1-5.

	DA	DP	LA	LP	RA	RP
TW320.06 18	—	—	\$520	447	520	447
24	—	—	\$617	563	617	563
30	—	—	\$901	821	901	821
36	\$962	876	—	—	—	—
09 18	—	—	\$646	558	646	558
24	—	—	\$703	640	703	640
30	—	—	\$1015	925	1015	925
36	\$1041	947	—	—	—	—
13 18	—	—	\$767	668	767	668
24	—	—	\$832	758	832	758
30	—	—	\$1142	1041	1142	1041
36	\$1166	1062	—	—	—	—

Storage Cabinet *continued*

Step 6. Top/Side Finish

Solid-Color

For durawrap™ 3D laminate (A)

91	white	+\$0
LU	soft white	+\$0

Wood-Grain

For durawrap™ 3D laminate (A)

76	light brown walnut	+\$10
HX	aged cherry	+\$10
HM	natural maple	+\$10
PX	Nemschoff light cherry	+\$10
OG	honey maple	+\$10

For 3D laminate (P)

120	light maple woodgrain 3D laminate A	+\$0
121	golden maple woodgrain 3D laminate A	+\$0
122	brown walnut woodgrain 3D laminate A	+\$0
123	chocolate walnut woodgrain 3D laminate A	+\$0
124	warm cherry woodgrain 3D laminate A	+\$0
125	light teak woodgrain 3D laminate A	+\$10
126	basic white 3D laminate A	+\$0

Step 7. Door Finish

Solid-Color

For durawrap™ 3D laminate (A)

91	white	+\$0
LU	soft white	+\$0

Wood-Grain

For durawrap™ 3D laminate (A)

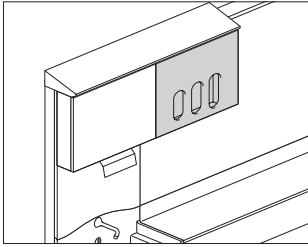
76	light brown walnut	+\$10
HX	aged cherry	+\$10
HM	natural maple	+\$10
PX	Nemschoff light cherry	+\$10
OG	honey maple	+\$10

For 3D laminate (P)

120	light maple woodgrain 3D laminate A	+\$0
121	golden maple woodgrain 3D laminate A	+\$0
122	brown walnut woodgrain 3D laminate A	+\$0
123	chocolate walnut woodgrain 3D laminate A	+\$0
124	warm cherry woodgrain 3D laminate A	+\$0
125	light teak woodgrain 3D laminate A	+\$10
126	basic white 3D laminate A	+\$0

Glove Cabinet

TW322.

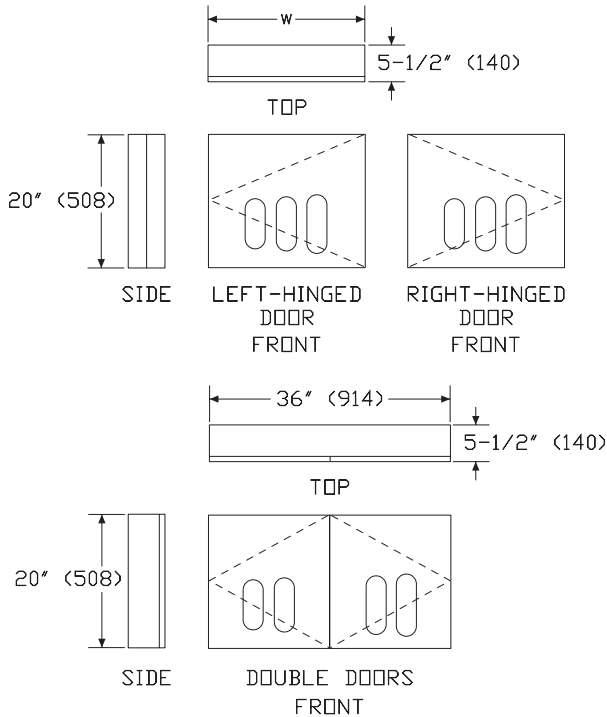


Product Information

Description

This non-locking cabinet attaches to 2 rail-attached stiles in the upper tile position and holds 3 boxes of gloves. The interior allows for additional storage. The outside of the cabinet and the door front have 3D laminate surfaces. Durawrap™ 3D laminate is a 99.9% PVC-free material.

Dimensions



Specification Information

Step 1.

TW322.06

Step 2. Width

24	24" wide
30	30" wide
36	36" wide

Step 3. Door Hinge Location

For 24" wide (24) or 30" wide (30)

L	left-hinged door
R	right-hinged door

For 36" wide (36)

D	double doors
----------	--------------

Step 4. Surface Material

A	durawrap™ 3D laminate
P	3D laminate <input type="checkbox"/> A

Prices for Steps 1-4.

		A	P
TW322.06	24 L	\$709	648
	R	\$709	648
	30 L	\$1026	936
	R	\$1026	936
	36 D	\$1081	987

Step 5. Top/Side Finish

Solid-Color

For durawrap™ 3D laminate (A)

91	white	+\$0
LU	soft white	+\$0

Wood-Grain

For durawrap™ 3D laminate (A)

76	light brown walnut	+\$10
HX	aged cherry	+\$10
HM	natural maple	+\$10
PX	Nemschoff light cherry	+\$10
OG	honey maple	+\$10

Glove Cabinet *continued*

Compass™ Storage

For 3D laminate (P)

120	light maple woodgrain 3D laminate <input type="checkbox"/>	+\$0
121	golden maple woodgrain 3D laminate <input type="checkbox"/>	+\$0
122	brown walnut woodgrain 3D laminate <input type="checkbox"/>	+\$0
123	chocolate walnut woodgrain 3D laminate <input type="checkbox"/>	+\$0
124	warm cherry woodgrain 3D laminate <input type="checkbox"/>	+\$0
125	light teak woodgrain 3D laminate <input type="checkbox"/>	+\$10
126	basic white 3D laminate <input type="checkbox"/>	+\$0

Step 6. Door Finish

Solid-Color

For durawrap™ 3D laminate (A)

91	white	+\$0
LU	soft white	+\$0

Wood-Grain

For durawrap™ 3D laminate (A)

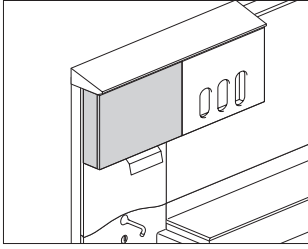
76	light brown walnut	+\$10
HX	aged cherry	+\$10
HM	natural maple	+\$10
PX	Nemschoff light cherry	+\$10
OG	honey maple	+\$10

For 3D laminate (P)

120	light maple woodgrain 3D laminate <input type="checkbox"/>	+\$0
121	golden maple woodgrain 3D laminate <input type="checkbox"/>	+\$0
122	brown walnut woodgrain 3D laminate <input type="checkbox"/>	+\$0
123	chocolate walnut woodgrain 3D laminate <input type="checkbox"/>	+\$0
124	warm cherry woodgrain 3D laminate <input type="checkbox"/>	+\$0
125	light teak woodgrain 3D laminate <input type="checkbox"/>	+\$10
126	basic white 3D laminate <input type="checkbox"/>	+\$0

Paper Towel Cabinet

TW324.

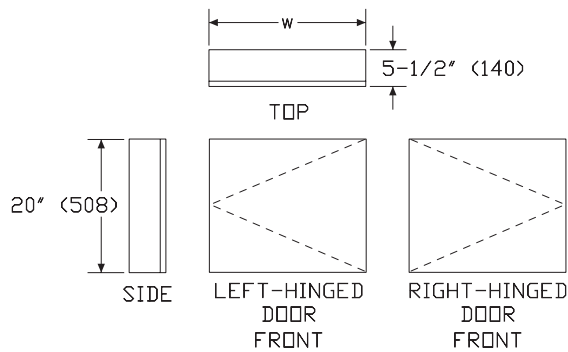


Product Information

Description

This non-locking cabinet attaches to 2 rail-attached stiles in the upper tile position to cover a field-supplied paper towel dispenser. The interior allows for storage of additional paper towels. The outside of the cabinet and the door front have 3D laminate surfaces. Durawrap™ 3D laminate is a 99.9% PVC-free material.

Dimensions



Specification Information

Step 1.

TW324.06

Step 2. Width

24 24" wide

Step 3. Door Hinge Location

L left-hinged door
R right-hinged door

Step 4. Surface Material

A durawrap™ 3D laminate
P 3D laminate

Prices for Steps 1-4.

	A	P
TW324.06 24 L	\$673	616
R	\$673	616

Step 5. Top/Side Finish

Solid-Color

For durawrap™ 3D laminate (A)

91 white	+\$0
LU soft white	+\$0

Wood-Grain

For durawrap™ 3D laminate (A)

76 light brown walnut	+\$10
HX aged cherry	+\$10
HM natural maple	+\$10
PX Nemschoff light cherry	+\$10
OG honey maple	+\$10

For 3D laminate (P)

120 light maple woodgrain 3D laminate <input type="checkbox"/>	+\$0
121 golden maple woodgrain 3D laminate <input type="checkbox"/>	+\$0
122 brown walnut woodgrain 3D laminate <input type="checkbox"/>	+\$0
123 chocolate walnut woodgrain 3D laminate <input type="checkbox"/>	+\$0
124 warm cherry woodgrain 3D laminate <input type="checkbox"/>	+\$0
126 basic white 3D laminate <input type="checkbox"/>	+\$0
125 light teak woodgrain 3D laminate <input type="checkbox"/>	+\$10

Compass™ Storage

Paper Towel Cabinet *continued*

Compass™ Storage

Step 6. Door Finish

Solid-Color

For durawrap™ 3D laminate (A)

91	white	+\$0
LU	soft white	+\$0

Wood-Grain

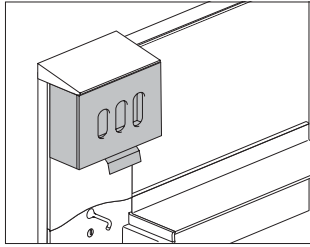
For durawrap™ 3D laminate (A)

76	light brown walnut	+\$10
HX	aged cherry	+\$10
HM	natural maple	+\$10
PX	Nemschoff light cherry	+\$10
OG	honey maple	+\$10

For 3D laminate (P)

120	light maple woodgrain 3D laminate A	+\$0
121	golden maple woodgrain 3D laminate A	+\$0
122	brown walnut woodgrain 3D laminate A	+\$0
123	chocolate walnut woodgrain 3D laminate A	+\$0
124	warm cherry woodgrain 3D laminate A	+\$0
126	basic white 3D laminate A	+\$0
125	light teak woodgrain 3D laminate A	+\$10

Glove and Paper Combo Cabinet TW326.



Product Information

Description

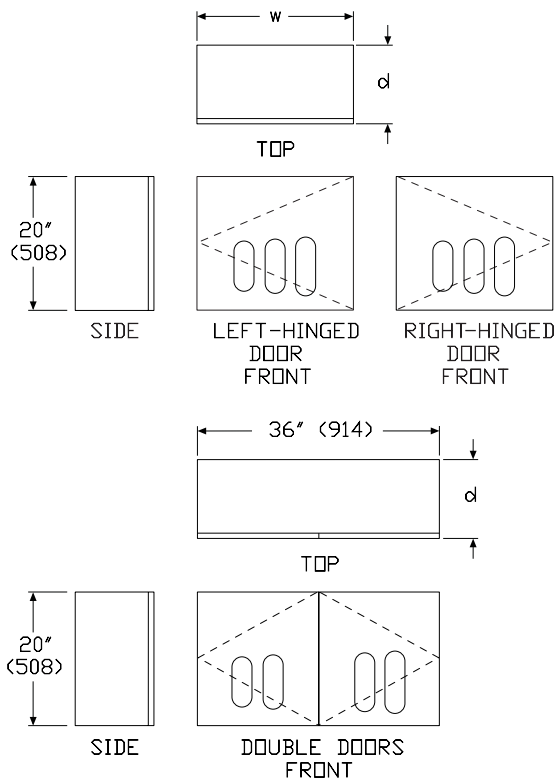
This non-locking combination glove and towel cabinet attaches to 2 rail-attached stiles in the upper tile position and holds 3 boxes of gloves and a field supplied paper towel dispenser. Hinged door(s) have a magnetic closure. Cabinet interior has a white melamine surface. The paper towel cabinet is in the back center of the cabinet in all sizes. The outside of the cabinet has a 3D laminate surface. Durawrap™ 3D laminate is a 99.9% PVC-free material.

Notes

It is recommended to leave an empty box (if a particular glove size is diminished) to hold the other boxes in place.

There is extra storage space on the top shelf (included) for 2 additional boxes of gloves (horizontally) for 24"-wide cabinets and for 3 additional boxes of gloves for 36"-wide cabinets.

Dimensions



Specification Information

Step 1.

TW326.

Step 2. Depth

09 9" deep
13 13" deep

Step 3. Width

24 24" wide
30 30" wide
36 36" wide

Step 4. Door Hinge Location

For 24" wide (24) or 30" wide (30)

L left-hinged door
R right-hinged door

For 36" wide (36)

D double doors

Step 5. Surface Material

A durawrap™ 3D laminate
P 3D laminate **A**

Prices for Steps 1-5.

	DA	DP	LA	LP	RA	RP
TW326.09 24	—	—	\$868	792	868	792
30	—	—	\$1055	962	1055	962
36	\$1243	1132	—	—	—	—
13 24	—	—	\$981	895	981	895
30	—	—	\$1174	1070	1174	1070
36	\$1367	1246	—	—	—	—

Step 6. Top/Side Finish

Solid-Color

For durawrap™ 3D laminate (A)

91 white +\$0
LU soft white +\$0

Glove and Paper Combo Cabinet

continued

Compass™ Storage

Wood-Grain

For durawrap™ 3D laminate (A)

76	light brown walnut	+\$10
HM	natural maple	+\$10
HX	aged cherry	+\$10
OG	honey maple	+\$10
PX	Nemschoff light cherry	+\$10

For 3D laminate (P)

120	light maple woodgrain 3D laminate A	+\$0
121	golden maple woodgrain 3D laminate A	+\$0
122	brown walnut woodgrain 3D laminate A	+\$0
123	chocolate walnut woodgrain 3D laminate A	+\$0
124	warm cherry woodgrain 3D laminate A	+\$0
125	light teak woodgrain 3D laminate A	+\$10
126	basic white 3D laminate A	+\$0

Step 7. Door Finish

Solid-Color

For durawrap™ 3D laminate (A)

91	white	+\$0
LU	soft white	+\$0

Wood-Grain

For durawrap™ 3D laminate (A)

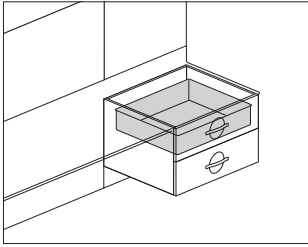
76	light brown walnut	+\$10
HM	natural maple	+\$10
HX	aged cherry	+\$10
OG	honey maple	+\$10
PX	Nemschoff light cherry	+\$10

For 3D laminate (P)

120	light maple woodgrain 3D laminate A	+\$0
121	golden maple woodgrain 3D laminate A	+\$0
122	brown walnut woodgrain 3D laminate A	+\$0
123	chocolate walnut woodgrain 3D laminate A	+\$0
124	warm cherry woodgrain 3D laminate A	+\$0
125	light teak woodgrain 3D laminate A	+\$10
126	basic white 3D laminate A	+\$0

Drawer Liner

TW390.

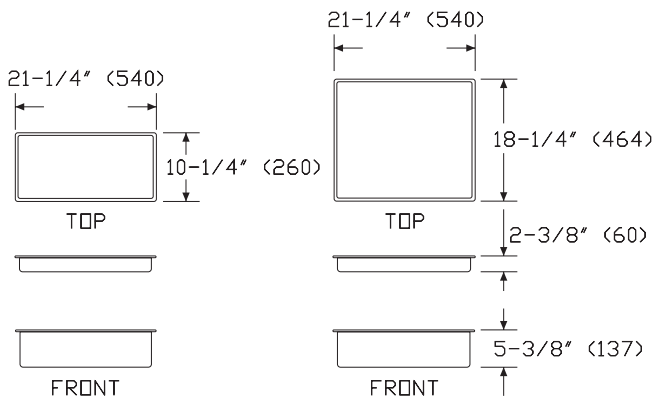


Product Information

Description

This plastic insert fits into drawers in a drawer module or wardrobe cabinet to help with infection control. It has radius edges for easy wipe-down. Finish is white.

Dimensions



Specification Information

Step 1.

TW390.

Step 2. Depth

13 13" deep

21 21" deep

Step 3. Height

06 6" high

09 9" high

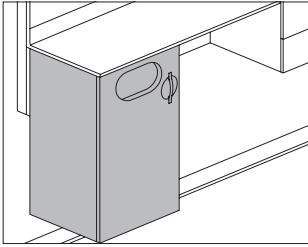
Prices for Steps 1-3.

	06	09
TW390. 13	\$63	70
21	\$76	82

Compass™ Storage

Waste Receptacle Cabinet

TW316.



Compass™ Storage

Product Information

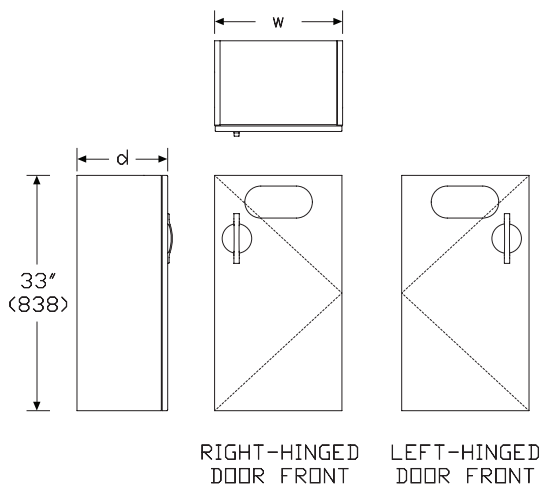
Description

This waste cabinet attaches to 2 rail-attached stiles to provide storage for a waste receptacle below a work surface. A slim profile bracket attaches to the door that holds the waste receptacle. Cabinet is designed to accommodate a 7-gallon or 10-gallon waste bin. Door is available with a cutout to allow touch-free access to the waste bin. Cabinet interior has a white melamine surface. The outside of the cabinet has a 3D laminate surface. Durawrap™ 3D laminate is a 99.9% PVC-free material. Includes a wall saver to protect the architectural wall behind the module.

Notes

Waste bin not included. See Planning Guide for recommendations.
 For bow pull option (C), pull finish is matte stainless. For arc pull option (D), pull finish is brushed nickel.
 Specify work surface (TW210.) separately.
 It is recommended to order a work surface with a backsplash. If ordering a work surface without a backsplash, a special-height mini-tile would need to be ordered.
 For flex pull (B), bow pull (C), and arc pull (D) options, the doors contain a pocket behind the handle. The no pull (N) door contains no pocket.

Dimensions



Specification Information

Step 1.

TW316. A

Step 2. Depth

13 13" deep A
21 21" deep A

Step 3. Width

18 18" wide A
24 24" wide A

Step 4. Door

L left-hinged door A
R right-hinged door A

Step 5. Cutout Option

N no cutout A
C cutout A

Step 6. Pull Type

B flex pull A
C bow pull A
D arc pull A
N no pull A

Step 7. Surface Material

A durawrap™ 3D laminate A
P 3D laminate A

Prices for Steps 1-7.

	LNBA	LBNP	LNCA	LNCP	LNDA	LNDP
TW316.13 18	\$1057	933	1078	955	1057	933
24	\$1109	985	1131	1005	1109	985
21 18	\$1257	1108	1279	1129	1257	1108
24	\$1330	1172	1350	1193	1329	1172
	LNNA	LNNP	LCBA	LCBP	LCCA	LCCP
TW316.13 18	\$1025	901	1069	944	1091	967
24	\$1077	953	1122	996	1142	1018
21 18	\$1225	1075	1269	1119	1291	1140
24	\$1297	1139	1341	1184	1363	1206
	LCDA	LCDP	LCNA	LCNP	RNBA	RBNP
TW316.13 18	\$1069	945	1038	913	1057	933
24	\$1122	996	1090	964	1109	985

Waste Receptacle Cabinet *continued*

21 18	\$1269	1119	1237	1088	1257	1108
24	\$1340	1184	1309	1152	1330	1172
	RCNA	RCNP	RNDA	RNDP	RNNA	RNNP
TW316.13 18	\$1078	955	1057	933	1025	901
24	\$1131	1005	1109	985	1077	953
21 18	\$1279	1129	1257	1108	1225	1075
24	\$1350	1193	1329	1172	1297	1139
	RCBA	RCBP	RCCA	RCCP	RCDA	RCDP
TW316.13 18	\$1069	944	1091	967	1069	945
24	\$1122	996	1142	1018	1122	996
21 18	\$1269	1119	1291	1140	1269	1119
24	\$1341	1184	1363	1206	1340	1184
				RCNA	RCNP	
TW316.13 18				\$1038	913	
24				\$1090	964	
21 18				\$1237	1088	
24				\$1309	1152	

Step 8. Top/Side Finish

<i>For 3D laminate (P)</i>						
120	light maple woodgrain 3D laminate	<input type="checkbox"/>				+\$0
121	golden maple woodgrain 3D laminate	<input type="checkbox"/>				+\$0
122	brown walnut woodgrain 3D laminate	<input type="checkbox"/>				+\$0
123	chocolate walnut woodgrain 3D laminate	<input type="checkbox"/>				+\$0
124	warm cherry woodgrain 3D laminate	<input type="checkbox"/>				+\$0
125	light teak woodgrain 3D laminate	<input type="checkbox"/>				+\$10
126	basic white 3D laminate	<input type="checkbox"/>				+\$0
<i>For durawrap™ 3D laminate (A)</i>						
91	white	<input type="checkbox"/>				+\$0
LU	soft white	<input type="checkbox"/>				+\$0
<i>For durawrap™ 3D laminate (A)</i>						
76	light brown walnut	<input type="checkbox"/>				+\$10
HM	natural maple	<input type="checkbox"/>				+\$10
HX	aged cherry	<input type="checkbox"/>				+\$10
OG	honey maple	<input type="checkbox"/>				+\$10
PX	Nemschoff light cherry	<input type="checkbox"/>				+\$10

Step 9. Door Finish

<i>For durawrap™ 3D laminate (A)</i>						
91	white	<input type="checkbox"/>				+\$0
LU	soft white	<input type="checkbox"/>				+\$0
<i>For durawrap™ 3D laminate (A)</i>						
76	light brown walnut	<input type="checkbox"/>				+\$10
HM	natural maple	<input type="checkbox"/>				+\$10
HX	aged cherry	<input type="checkbox"/>				+\$10
OG	honey maple	<input type="checkbox"/>				+\$10
PX	Nemschoff light cherry	<input type="checkbox"/>				+\$10

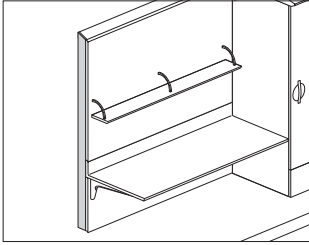
For 3D laminate (P)

120	light maple woodgrain 3D laminate	<input type="checkbox"/>				+\$0
121	golden maple woodgrain 3D laminate	<input type="checkbox"/>				+\$0
122	brown walnut woodgrain 3D laminate	<input type="checkbox"/>				+\$0
123	chocolate walnut woodgrain 3D laminate	<input type="checkbox"/>				+\$0
124	warm cherry woodgrain 3D laminate	<input type="checkbox"/>				+\$0
125	light teak woodgrain 3D laminate	<input type="checkbox"/>				+\$10
126	basic white 3D laminate	<input type="checkbox"/>				+\$0

Step 10. Pull Finish

<i>For flex pull (B)</i>						
5B	java	<input type="checkbox"/>				+\$0
63	fog	<input type="checkbox"/>				+\$0

Compass™ Storage



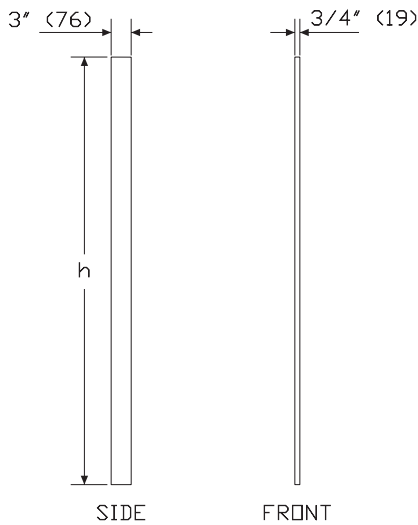
Compass™ Close-Outs

Product Information

Description
 This plastic close-out finishes the exposed side of a stile at the end of a wall rail.

Notes
 When wall rails extend past the stile and close-out, specify cutout(s) for wall rail option (C). Finish the cutouts with close-out grommet (TW409.), specified separately.
 Close-out with cutout(s) for wall rail option (C) has 1 cutout for 24"-high, 2 cutouts for 64"- and 89"-high.
 Top edge of close-out is flat. Field cutting is required to match top edge with close-out, top (TW402.) or close-out, sloped cabinet top (TW406.).

Dimensions



Specification Information

Step 1.
TW400.

Step 2. Height
24 24" high
64 64" high
89 89" high

Step 3. Type
L left
R right

Step 4. Cutout
C cutout(s) for wall rail
N no cutout(s) for wall rail

Prices for Steps 1-4.

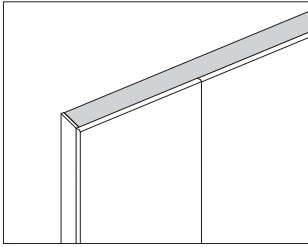
	C	N
TW400.24 L	\$40	30
R	\$40	30
64 L	\$70	47
R	\$70	47
89 L	\$104	83
R	\$104	83

Step 5. Surface Finish

91 white	+\$0
LU soft white	+\$0

Close-out, Top

TW402.

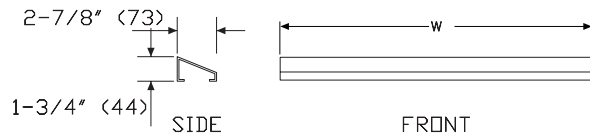


Product Information

Description

This plastic close-out finishes the gap between the architectural wall and tiles at the top of rail-attached stiles. It has a 20° slope for ease of cleaning and infection control. It can be field-cut to match the width of the wall, or to accommodate a chase. Attachment hardware included.

Dimensions



Specification Information

Step 1.

TW402.

Step 2. Application

A for use between two side closeouts

Step 3. Width

- 18** 18" wide A
- 24** 24" wide
- 36** 36" wide
- 48** 48" wide
- 60** 60" wide
- 72** 72" wide
- 84** 84" wide
- 96** 96" wide

Prices for Steps 1-3.

	18	24	36	48	60	72
TW402.A	\$55	59	63	66	78	89
					84	96
TW402.A					\$99	113

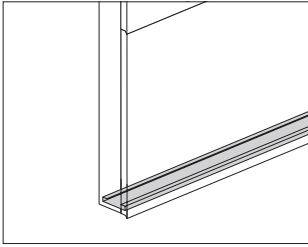
Step 4. Surface Finish

- 91** white +\$0
- LU** soft white +\$0

Compass™ Close-Outs

Close-out, Bottom

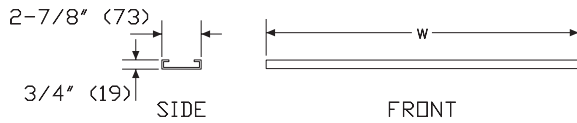
TW404.



Product Information

Description
 This plastic close-out finishes the gap between the architectural wall and tiles at the bottom of rail-attached stiles. It can be field-cut to match the width of the wall. Attachment hardware included.

Dimensions



Compass™ Close-Outs

Specification Information

Step 1.

TW404.

Step 2. Width

- 18** 18" wide
- 24** 24" wide
- 36** 36" wide
- 48** 48" wide
- 60** 60" wide
- 72** 72" wide
- 84** 84" wide
- 96** 96" wide

Step 3. Application

- A** not for use next to bed tile
- B** for use next to bed tile

Prices for Steps 1-3.

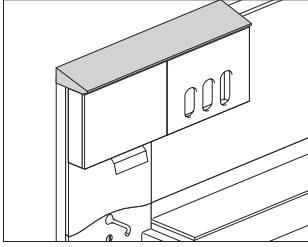
	A	B
TW404. 18	\$30	30
24	\$33	33
36	\$36	36
48	\$39	39
60	\$50	50
72	\$57	57
84	\$65	65
96	\$78	78

Step 4. Surface Finish

- 91** white +\$0
- LU** soft white +\$0

Close-out, Sloped Cabinet Top

TW406.



Product Information

Description

This steel sloped top finishes the top of a wardrobe cabinet, storage cabinet, glove cabinet, or paper towel cabinet. Close-out can span multiple cabinets.

Notes

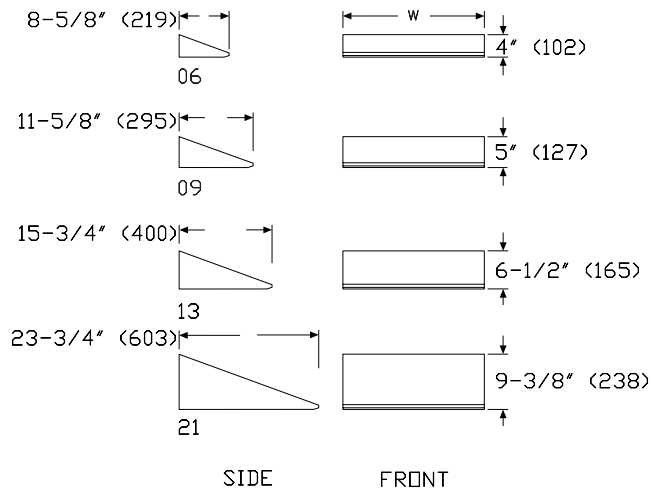
Specify 6" deep option (06) for storage cabinet, glove cabinet, or paper towel cabinet.

Specify 9" deep option (09) for storage cabinet or glove and paper combo cabinet.

Specify 13" deep option (13) for 13"-deep wardrobe cabinet, storage cabinet, or glove and paper combo cabinet.

Specify 21" deep option (21) for 21"-deep wardrobe cabinet.

Dimensions



Specification Information

Step 1.

TW406.

Step 2. Depth

- 06** 6" deep
- 09** 9" deep
- 13** 13" deep
- 21** 21" deep

Step 3. Width

For 6" deep (06)

- 18** 18" wide
- 24** 24" wide
- 30** 30" wide
- 36** 36" wide
- 42** 42" wide
- 48** 48" wide
- 54** 54" wide
- 60** 60" wide
- 66** 66" wide
- 72** 72" wide
- 84** 84" wide
- 96** 96" wide

For 9" deep (09) or 13" deep (13)

- 18** 18" wide
- 24** 24" wide
- 30** 30" wide
- 36** 36" wide
- 42** 42" wide
- 48** 48" wide
- 54** 54" wide
- 60** 60" wide
- 66** 66" wide
- 72** 72" wide

For 21" deep (21)

- 24** 24" wide

Prices for Steps 1-3.

	18	24	30	36	42	48
TW406.06	\$80	86	90	96	99	101
09	\$84	93	95	101	117	133
13	\$100	112	124	131	148	164
21	—	\$156	—	—	—	—

Close-out, Sloped Cabinet Top

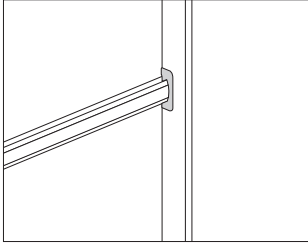
continued

	54	60	66	72	84	96
TW406.06	\$105	109	115	120	124	129
09	\$140	146	163	180	—	—
13	\$185	206	227	248	—	—
Step 4. Surface Finish						
91 white						+\$0
LU soft white						+\$0

Compass™ Close-Outs

Grommet, Close-out

TW409.

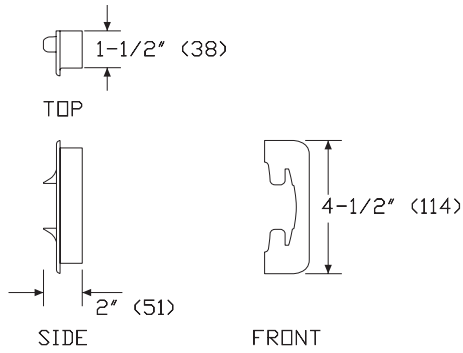


Product Information

Description

This individual grommet attaches to a side close-out with cutouts to fill the gap when the wall rail extends past the close-out.

Dimensions



Specification Information

Step 1.

TW409.

\$20

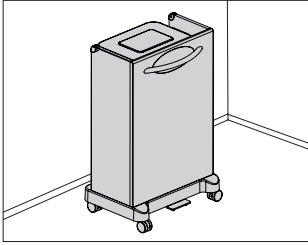
Step 2. Surface Finish

Solid-Color

91 white

+\$0

Compass™ Close-Outs



Product Information

Description

This cart holds linens and has a top ring that accommodates a standard “blue” linen bag. It docks below a work surface with linen cart tile. Front and side panels are 3D laminate. Durawrap™ 3D laminate is a 99.9% PVC-free material. Side panels are g1 white 3D laminate. Top ring and pull finish are metallic silver. Lid, foot pedal, and base finish are cool grey neutral.

Notes

Foot pedal is on front of cart.

Cart lid opens to the left.

Cart comes with side panels in white (g1) Durawrap 3D laminate.

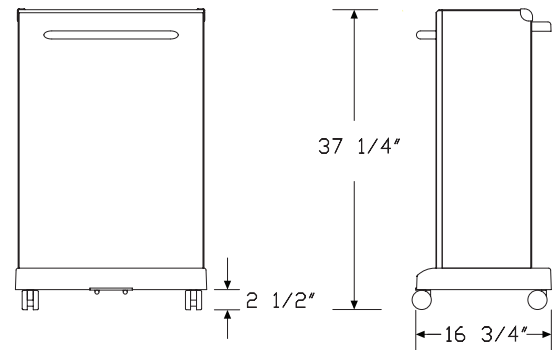
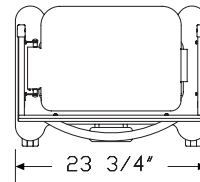
Cart cannot be cleaned using a cart wash.

Specify the following products separately:

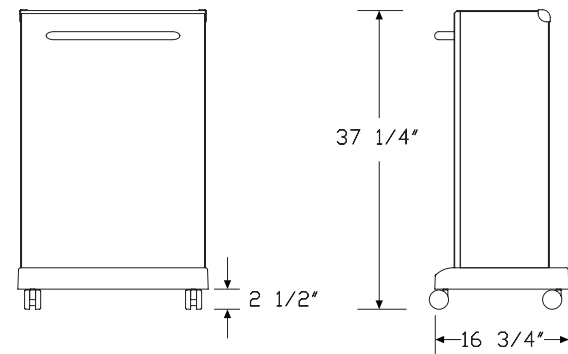
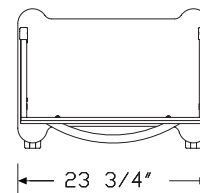
- Cantilever (TW219.)
- Linen cart tile (TW130.)
- Work surface (TW210.)

Compass™ Transport

Dimensions



Cart with lid and foot pedal



Cart with no lid and no foot pedal

Linen Cart *continued*

Specification Information

Step 1.

TW501. A

Step 2. Type

N no lid or foot pedal A

M lid and no foot pedal A

L lid and foot pedal A

Step 3. Surface Material

A durawrap™ 3D laminate A

P 3D laminate A

Prices for Steps 1-3.

	A	P
TW501. N	\$1277	1241
M	\$1525	1484
L	\$1662	1615

Step 4. Side Finish

91 white A +\$0

Step 5. Front Finish

Solid-Color

For durawrap™ 3D laminate (A)

91 white A +\$0

LU soft white A +\$0

Wood-Grain

For durawrap™ 3D laminate (A)

76 light brown walnut A +\$10

HX aged cherry A +\$10

HM natural maple A +\$10

PX Nemschoff light cherry A +\$10

OG honey maple A +\$10

For 3D laminate (P)

120 light maple woodgrain 3D laminate A +\$0

121 golden maple woodgrain 3D laminate A +\$0

122 brown walnut woodgrain 3D laminate A +\$0

123 chocolate walnut woodgrain 3D laminate A +\$0

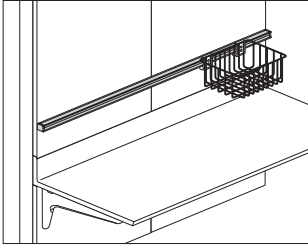
124 warm cherry woodgrain 3D laminate A +\$0

125 light teak woodgrain 3D laminate A +\$10

126 basic white 3D laminate A +\$0

Accessory Rail

TW700.



Product Information

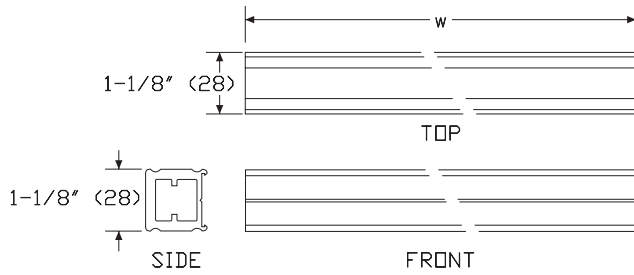
Description

This aluminum rail attaches to the front of a tile to hold rail-mounted components. It has a satin oxide laminate insert and grey end caps. Attachment hardware included.

Notes

Rail can match tile width, or span multiple tiles. For easy removal of tiles, accessory rail width should be equal to or less than the width of the tile it's attached to.

Dimensions



Compass™ Rails and Accessories

Specification Information

Step 1.

TW700.

Step 2. Width

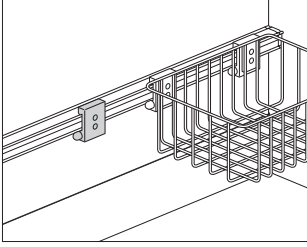
- 18** 18" wide
- 24** 24" wide
- 30** 30" wide
- 36** 36" wide
- 42** 42" wide
- 48** 48" wide

Prices for Steps 1-2.

TW700.18	\$72
24	\$95
30	\$119
36	\$142
42	\$167
48	\$188

Universal Rail Clamp

TW705.



Product Information

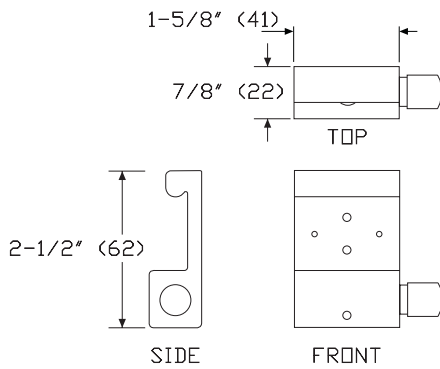
Description

This universal aluminum clamp attaches to an accessory rail and has holes for attaching customer supplied components. It has a push button mechanism that locks the clamp in place and allows for easy attachment and removal.

Notes

Order accessory rail (TW700.) separately.

Dimensions



Specification Information

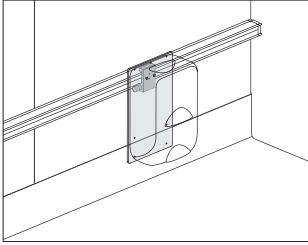
Step 1.

TW705.

\$121

Soap and Sanitizer Mounting Bracket

TW706.



Product Information

Description

This aluminum mounting bracket is designed for use with customer supplied components such as soap and sanitizer dispensers or sharps containers. It includes 1 universal rail clamp (TW705.) for attachment. The clamp has a push-button locking mechanism for easy attachment and removal.

Notes

Order accessory rail (TW700.) separately. Screws must be customer supplied.

Dimensions

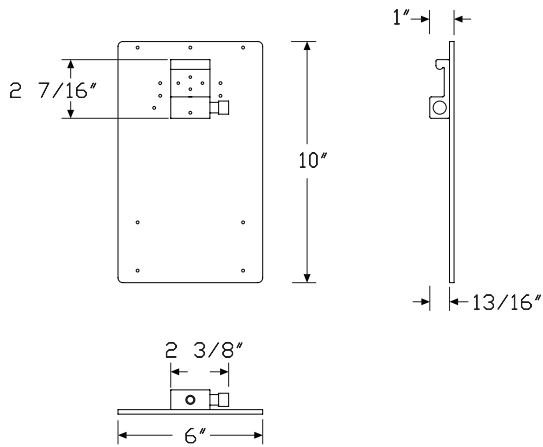
Specification Information

Step 1.

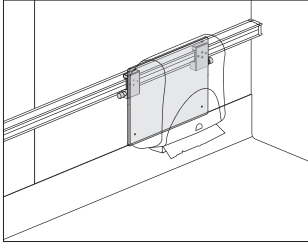
TW706.

\$396

Compass™ Rails and Accessories



Paper Towel Dispenser Mounting Bracket TW707.



Product Information

Description

This aluminum mounting bracket is designed for use with customer supplied paper towel dispensers. It includes 2 universal rail clamps (TW705.) for attachment. The clamps have a push-button locking mechanism for easy attachment and removal.

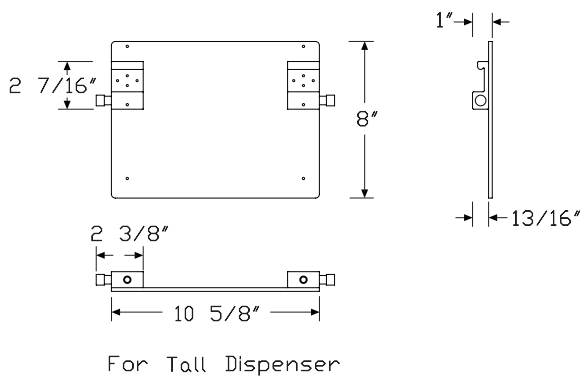
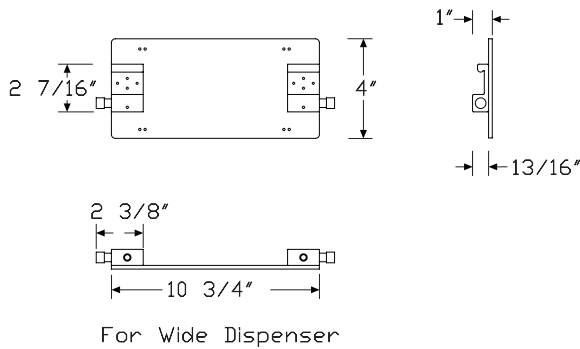
Notes

Order accessory rail (TW700.) separately. Screws and dispensers must be customer supplied.

Wide paper towel dispenser dimensions are approximately 10" wide x 5" deep x 8" high. Tall dispenser dimensions are approximately 13" wide x 9" deep x 13" high.

See Compass™ planning guide for additional specification information.

Dimensions



Specification Information

Step 1.

TW707.

Step 2. Size

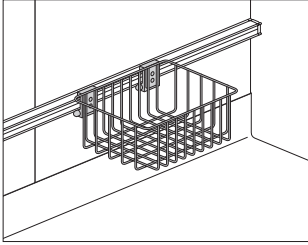
- A** used with wide paper towel dispensers
- B** used with tall paper towel dispensers

Prices for Steps 1-2.

TW707.A	\$447
B	\$447

Utility Basket

TW720.



Product Information

Description

This powder-coated wire basket attaches to an accessory rail to hold small items. It includes 2 rail clamps for attachment. The clamps have a push button mechanism that locks the clamp in place and allows for easy attachment and removal. Finish is off-white.

Notes

Order accessory rail (TW700.) separately.

Dimensions

Specification Information

Step 1.

TW720.

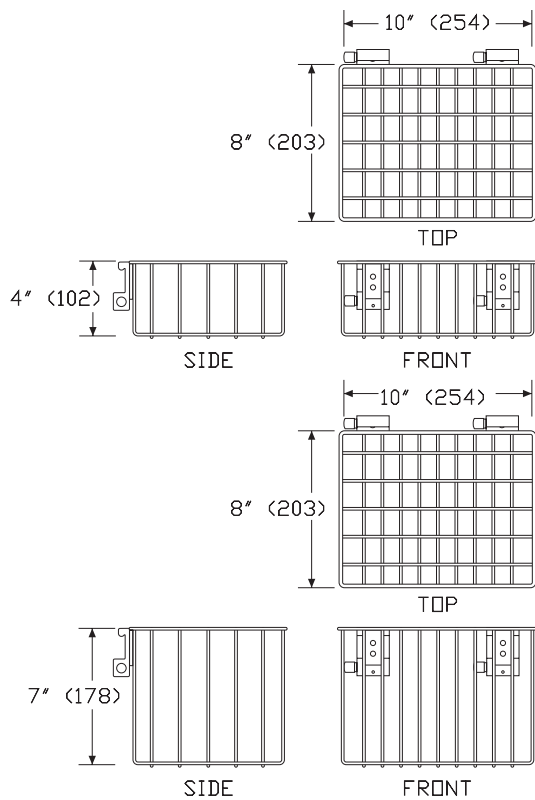
Step 2. Size

- 01** 4" high x 8" deep x 10" wide
- 02** 7" high x 8" deep x 10" wide

Prices for Steps 1-2.

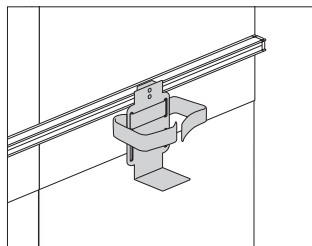
TW720.01	\$409
02	\$424

Compass™ Rails and Accessories



Sharps Container Holder

TW722.



Product Information

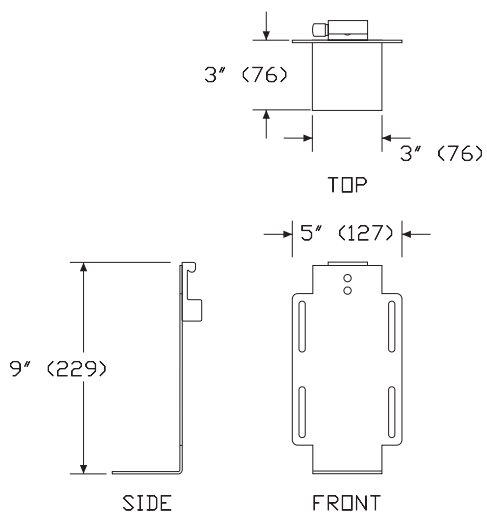
Description

This painted holder attaches to an accessory rail and has a strap for holding a variety of customer-supplied sharps containers. It includes a rail clamp for attachment. The clamp has a push button mechanism that locks the clamp in place and allows for easy attachment and removal. Finish is off-white.

Notes

Order accessory rail (TW700.) separately.

Dimensions



Specification Information

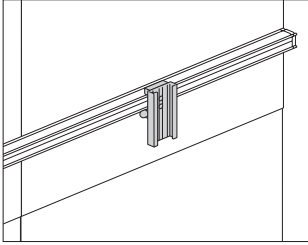
Step 1.

TW722.

\$301

Vacuum Bottle Slide

TW723.

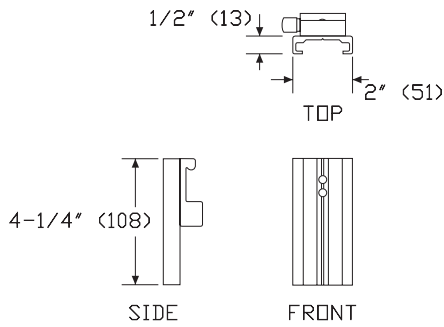


Product Information

Description
 This aluminum slide attaches to an accessory rail and accepts a customer-supplied vacuum bottle with mounting ring. It includes a rail clamp for attachment. The clamp has a push button mechanism that locks the clamp in place and allows for easy attachment and removal.

Notes
 Order accessory rail (TW700.) separately.

Dimensions

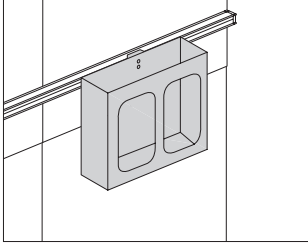


Specification Information

Step 1.
TW723. \$147

Glove Box Holder

TW724.



Product Information

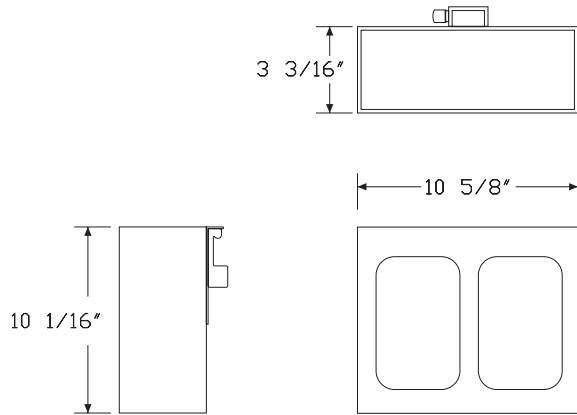
Description

This holder attaches to an accessory rail and holds 2 10" x 5" x 3" boxes of gloves. It includes a rail clamp for attachment. The clamp has a push button mechanism that locks the clamp in place and allows for easy attachment and removal. Finish is off-white

Notes

Order accessory rail (TW700.) separately.

Dimensions



Specification Information

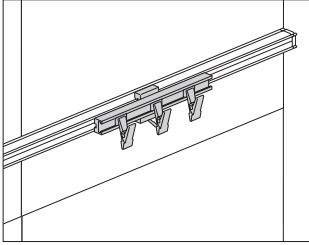
Step 1.

TW724.

\$507

3 Clip Organizer

TW725.



Product Information

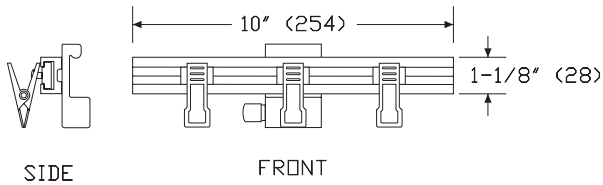
Description

This aluminum organizer attaches to an accessory rail and has 3 stainless steel clips for holding IV bags, catheters, and other items. It includes a rail clamp for attachment.

Notes

Order accessory rail (TW700.) separately.

Dimensions



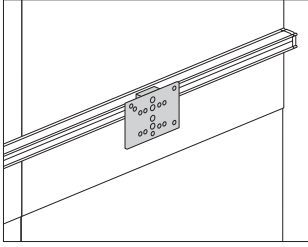
Specification Information

Step 1.

TW725. \$320

Instrument Mounting Bracket

TW726.



Product Information

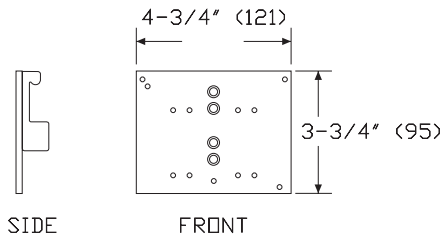
Description

This aluminum bracket attaches to an accessory rail to hold a customer-supplied sphygmomanometer, ophthalmoscope with holder, or thermometer with holder. It is designed for products that adhere to the Fairfield standards. The bracket includes a rail clamp for attachment. The clamp has a push button mechanism that locks the clamp in place and allows for easy attachment and removal.

Notes

Order accessory rail (TW700.) separately.

Dimensions



Specification Information

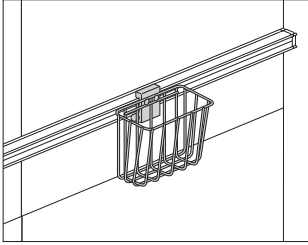
Step 1.

TW726.

\$314

Sphygmomanometer Basket

TW727.



Product Information

Description

This stainless steel wire basket attaches to an accessory rail to hold a customer-supplied blood pressure arm cuff or other small items. It includes a rail clamp for attachment. The clamp has a push button mechanism that locks the clamp in place and allows for easy attachment and removal.

Notes

Order accessory rail (TW700.) separately.

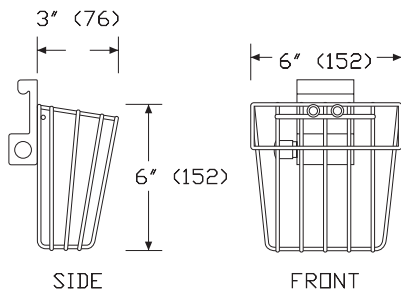
Dimensions

Specification Information

Step 1.

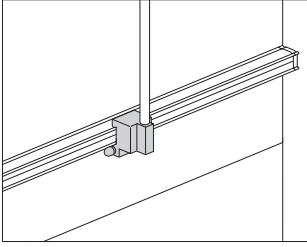
TW727.

\$264



Mounting Clamp

TW740.



Product Information

Description

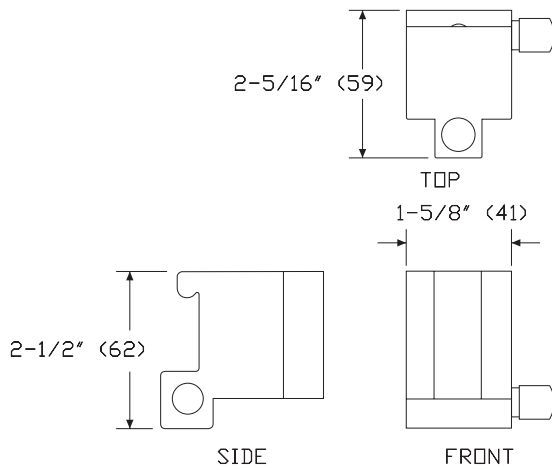
This aluminum clamp attaches to an accessory rail to hold components with a post-mount attachment method. It has a push button mechanism that locks the clamp in place and allows for easy attachment and removal.

Notes

Order the following products separately:

- Accessory rail (TW700.)
- Chart holder (TW746.)
- IV pole (TW743.)
- Utility Hook (TW747.)

Dimensions



Specification Information

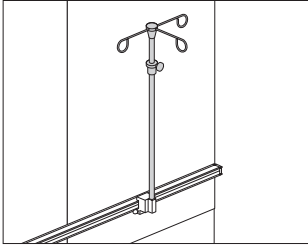
Step 1.

TW740.

\$156

IV Pole

TW743.



Product Information

Description
 This adjustable stainless steel pole holds up to 3 IV bags and has a post for attaching to a mounting clamp.

Notes
 Order accessory rail (TW700.) and mounting clamp (TW740.) separately.

Dimensions

Specification Information

Step 1.
TW743.24 \$516

Compass™ Rails and Accessories

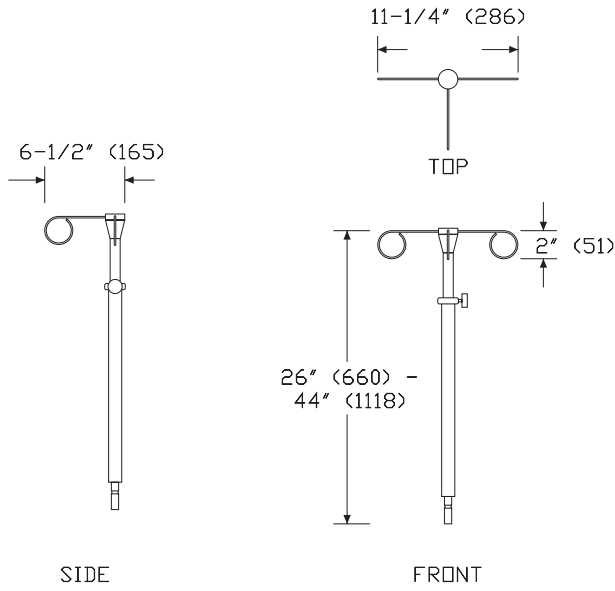
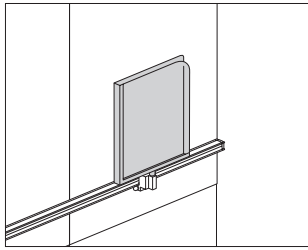


Chart Holder

TW746.



Product Information

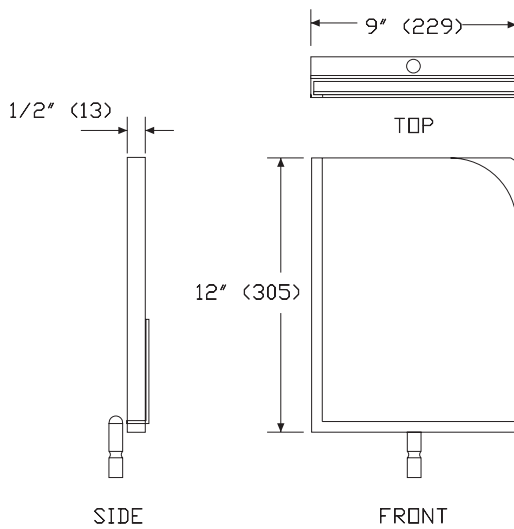
Description

This powder-coated holder has a clear acrylic front and holds a chart or other paper items. It has a post for attaching to a mounting clamp. Finish is off-white.

Notes

Order accessory rail (TW700.) and mounting clamp (TW740.) separately.

Dimensions



Specification Information

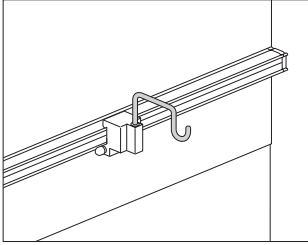
Step 1.

TW746.

\$363

Utility Hook

TW747.

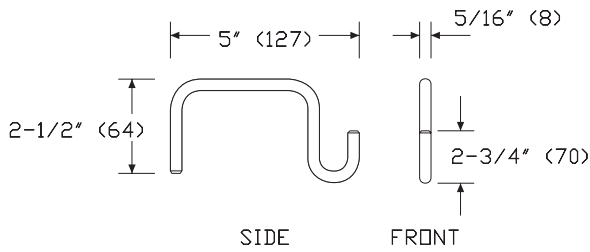


Product Information

Description
This stainless steel hook holds tubing, charts, catheters, or other equipment. It has a post for attaching to a mounting clamp.

Notes
Order accessory rail (TW700.) and mounting clamp (TW740.) separately.

Dimensions

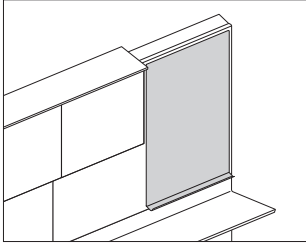


Specification Information

Step 1.
TW747. \$95

Marker Board

TW800.

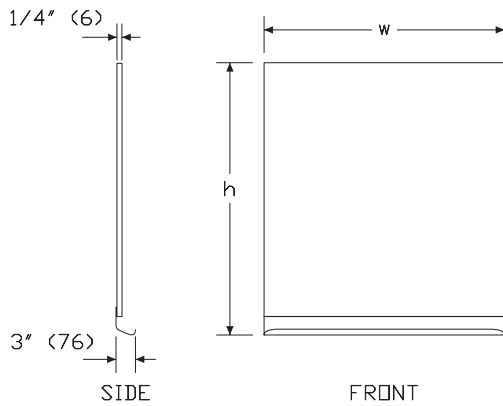


Product Information

Description

This marker board attaches with screws to the front of a face tile to provide an erasable writing surface using dry-erase markers. It has a tray at the bottom for holding markers and erasers. Finish is white.

Dimensions



Specification Information

Step 1.

TW800.

Step 2. Height

- 20** 20" high
- 40** 40" high

Step 3. Width

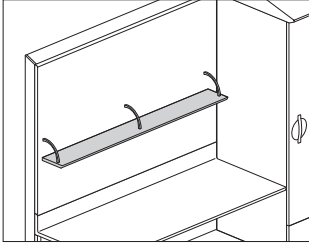
- 24** 24" wide
- 36** 36" wide

Prices for Steps 1-3.

	24	36
TW800. 20	\$289	343
40	\$480	612

Display Shelf

TW810.

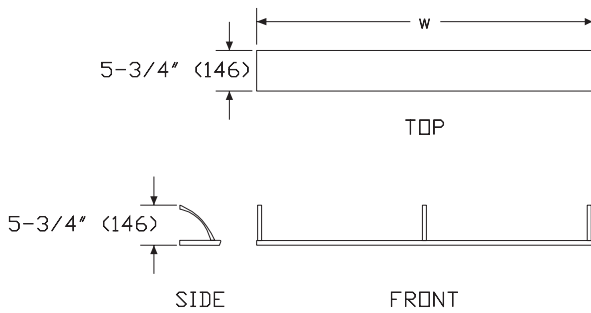


Product Information

Description

This shelf attaches to the front of a face tile to provide small item storage and display. It is available in 3D laminate or Corian® with metallic silver supports. Durawrap™ 3D laminate is a 99.9% PVC-free material. Attachment hardware included.

Dimensions



Specification Information

Step 1.

TW810.06

Step 2. Width

- 18** 18" wide
- 24** 24" wide
- 36** 36" wide
- 48** 48" wide

Step 3. Surface Material

- A** durawrap™ 3D laminate
- K** corian
- P** 3D laminate A

Prices for Steps 1-3.

		A	K	P
TW810.06	18	\$178	427	173
	24	\$195	450	180
	36	\$252	561	231
	48	\$276	697	252

Step 4. Surface Finish

Solid-Color

For durawrap™ 3D laminate (A)

91	white			+\$0
LU	soft white			+\$0

Wood-Grain

For durawrap™ 3D laminate (A)

76	light brown walnut			+\$10
HX	aged cherry			+\$10
HM	natural maple			+\$10
PX	Nemschoff light cherry			+\$10
OG	honey maple			+\$10

Display Shelf *continued*

For corian (K)

1N	canyon	+\$130
CQ	glacier white	+\$0
QB	bisque	+\$0
1E	flint	+\$150
1S	savannah	+\$130
1U	sahara	+\$130
3I	mojave	+\$130
4I	sandstone	+\$130
58	cameo white	+\$0
IQ	aurora	+\$130
OQ	silt	+\$130
Q1	vanilla	+\$0
7I	raffia	+\$150
BLP	blue pebble	+\$150

For 3D laminate (P)

120	light maple woodgrain 3D laminate A	+\$0
121	golden maple woodgrain 3D laminate A	+\$0
122	brown walnut woodgrain 3D laminate A	+\$0
123	chocolate walnut woodgrain 3D laminate A	+\$0
124	warm cherry woodgrain 3D laminate A	+\$0
125	light teak woodgrain 3D laminate A	+\$10
126	basic white 3D laminate A	+\$0

Index by Product Name

Compass™ System	
1" Conduit Electrical Junction Box	page(s) 41
3 Clip Organizer	108
Above-Sink Tile	21
Above-Sink Tile, ADA-Compliant Sink	23
Accessory Rail	100
Bed Tile	16
Cantilever	46
Chart Holder	113
Chase	42
Chase Tile	43
Close-out, Bottom	94
Close-out, Side	92
Close-out, Sloped Cabinet Top	95
Close-out, Top	93
Display Shelf	116
Drawer and Printer Module	76
Drawer Liner	89
Drawer Module	71
Electrical 4x4 Junction Box Attachment Bracket	39
Electrical Junction Box Attachment Bracket	38
Face Tile	14
Faucet	58
Full Height Storage Cabinet	66
Glove and Paper Combo Cabinet	87
Glove Box Holder	107
Glove Cabinet	83
Grommet, Close-out	97
Half-Height Storage Cabinet	69
Instrument Mounting Bracket	109
IV Pole	112
Linen Cart	98
Linen Cart Tile	25
Lower Storage Cabinet with Doors	73
Marker Board	115
Mounting Clamp	111
Nurse Call Trim Plate	35
Paper Towel Cabinet	85
Paper Towel Dispenser Mounting Bracket	103
Rotating Work Surface Arm	48
Rotating Work Surface Support Bracket	47
Rotating Work Surface Tile	20
Rotating Work Surface Top	49
Sconce Light Junction Box Attachment Bracket	37
Sconce Light Trim Plate	34
Sharps Container Holder	105
Sidesplash	61

Sidesplash, ADA Compliant	62
Sink, 13" Deep	51
Sink, 21" Deep	52
Sink, ADA Compliant	53
Sink, Basic 13" Deep	60
Sink Enclosure	54
Sink Enclosure, ADA-Compliant Sink	56
Soap and Sanitizer Mounting Bracket	102
Sphygmomanometer Basket	110
Stile, Chase Tile	13
Stile Connector Kit	12
Stile Lockdown	11
Stile, Rail-Attached	9
Storage and Printer Module	79
Storage Cabinet	81
TV/Monitor Support Bracket	40
Universal Rail Clamp	101
Utility Basket	104
Utility Hook	114
Utility Support Rail	36
Utility Tile, Electrical, Full-Height Upper	30
Utility Tile, Electrical, Lower	26
Utility Tile, Electrical, Partial-Height Upper	28
Utility Tile, Light	32
Vacuum Bottle Slide	106
Wall Anchors	8
Wall Rail	5
Wall Rail End Cap	7
Wall Rail Insert	6
Wardrobe Cabinet	63
Waste Receptacle Cabinet	90
Work Surface	44
Work Surface Tile	18

Index by Product Number

TW100. Wall Rail	page(s) 5	TW310. Drawer Module	71
TW102. Wall Rail Insert	6	TW312. Lower Storage Cabinet with Doors	73
TW104. Wall Rail End Cap	7	TW314. Drawer and Printer Module	76
TW109. Wall Anchors	8	TW315. Storage and Printer Module	79
TW110. Stile, Rail-Attached	9	TW316. Waste Receptacle Cabinet	90
TW112. Stile Lockdown	11	TW320. Storage Cabinet	81
TW113. Stile Connector Kit	12	TW322. Glove Cabinet	83
TW114. Stile, Chase Tile	13	TW324. Paper Towel Cabinet	85
TW120. Face Tile	14	TW326. Glove and Paper Combo Cabinet	87
TW122. Bed Tile	16	TW390. Drawer Liner	89
TW124. Work Surface Tile	18	TW400. Close-out, Side	92
TW126. Rotating Work Surface Tile	20	TW402. Close-out, Top	93
TW128. Above-Sink Tile	21	TW404. Close-out, Bottom	94
TW129. Above-Sink Tile, ADA-Compliant Sink	23	TW406. Close-out, Sloped Cabinet Top	95
TW130. Linen Cart Tile	25	TW409. Grommet, Close-out	97
TW140. Utility Tile, Electrical, Lower	26	TW501. Linen Cart	98
TW141. Utility Tile, Electrical, Partial-Height Upper	28	TW700. Accessory Rail	100
TW142. Utility Tile, Electrical, Full-Height Upper	30	TW705. Universal Rail Clamp	101
TW155. Utility Tile, Light	32	TW706. Soap and Sanitizer Mounting Bracket	102
TW156. Sconce Light Trim Plate	34	TW707. Paper Towel Dispenser Mounting Bracket	103
TW159. Nurse Call Trim Plate	35	TW720. Utility Basket	104
TW170. Utility Support Rail	36	TW722. Sharps Container Holder	105
TW171. Sconce Light Junction Box Attachment Bracket	37	TW723. Vacuum Bottle Slide	106
TW172. Electrical Junction Box Attachment Bracket	38	TW724. Glove Box Holder	107
TW174. Electrical 4x4 Junction Box Attachment Bracket	39	TW725. 3 Clip Organizer	108
TW175. TV/Monitor Support Bracket	40	TW726. Instrument Mounting Bracket	109
TW176. 1" Conduit Electrical Junction Box	41	TW727. Sphygmomanometer Basket	110
TW180. Chase	42	TW740. Mounting Clamp	111
TW182. Chase Tile	43	TW743. IV Pole	112
TW210. Work Surface	44	TW746. Chart Holder	113
TW211.		TW747. Utility Hook	114
TW219. Cantilever	46	TW800. Marker Board	115
TW221. Rotating Work Surface Arm	48	TW810. Display Shelf	116
TW222. Rotating Work Surface Top	49		
TW229. Rotating Work Surface Support Bracket	47		
TW230. Sink, 13" Deep	51		
TW231. Sink, 21" Deep	52		
TW232. Sink Enclosure	54		
TW233. Sink Enclosure, ADA-Compliant Sink	56		
TW234. Sink, Basic 13" Deep	60		
TW235. Sink, ADA Compliant	53		
TW239. Faucet	58		
TW242. Sidesplash	61		
TW243. Sidesplash, ADA Compliant	62		
TW300. Wardrobe Cabinet	63		
TW302. Full Height Storage Cabinet	66		
TW305. Half-Height Storage Cabinet	69		



20-Day or Less/Assigned Lead-Time Order Information – Healthcare

20-Day or Less/Assigned Lead-Time Programs

20-day or less and assigned lead-time products are designed for established Herman Miller dealers with pre-approved credit.

Products are distributed from multiple manufacturing facilities across the United States. All products and options not designated by an Assigned Lead-Time icon **A** will ship in 20 business days or less after being acknowledged by Herman Miller. Products and options designated by an **A** are on the assigned lead-time program and will ship in 20 days, less than 20 days, or more than 20 days from order acknowledgement.

Ordering Procedure

Please place orders through Order Manager. If this is not available to you, place orders through mail or fax. Verbal purchase orders will not be accepted.

Order Entry fax number: (616) 654 3085.

For more information, contact your Customer Care representative at:
(866) 854 3048 EXT 3400

Shipments and Delivery

Per Herman Miller Terms and Conditions.

Changes and Cancellation

Per Herman Miller Terms and Conditions.

For more information about our products and services or to see a list of dealers, please visit us at HermanMiller.com or call (800) 851 1196.

© 2018 Herman Miller, Inc., Zeeland, Michigan

Distribution Rights

Working together since 1956, Herman Miller and Vitra are the authentic sources of designs by Charles and Ray Eames, Alexander Girard, and George Nelson. All the designs shown in this book are protected by law. Herman Miller has obtained all rights to make and sell these designs. Also, Herman Miller holds exclusive worldwide manufacturing and distribution rights for these products with the following exceptions:

Charles and Ray Eames, George Nelson, and Alexander Girard—Worldwide distribution rights for furniture in all areas except Europe and the Middle East. For those areas, please contact Vitra.

Isamu Noguchi—Worldwide distribution rights for the Noguchi Rudder Table. Distribution rights for the Noguchi Table in North America and Central America only. For all other areas, please contact Vitra.

Magis—Exclusive distribution rights in the US and Canada. For all other areas, please contact Magis.

Mattiazzi—Exclusive distribution rights in the US and Canada. For all other areas, please contact Mattiazzi.

® **HermanMiller**, ●, Action Office, Aeron, Aside, Avive, Canvas Office Landscape, Caper, Celle, Co/Struc, Eames, Embody, Equa 2, Ergon 3, Ethospace, Exclave, Fine-Tune, FlexFront, Formcoat, Ground Cloth, Herman Miller Healthcare, Layout Studio, Maharam, Meridian, Mirra, Passage, Pellicle, Perspectives, PostureFit, Resolve, Sayl, Setu, Thrive, Tu, Y-Tower, and Z-Axis are among the registered trademarks of Herman Miller, Inc., and its owned subsidiaries.

™ AireWeave, Bubbletack, Cellular Suspension, Compass, Connect, Cosm, DOT, Durawrap, Everywhere, Flex-Edge, Hopsak 2, Intent, Iota, Keyless Entry, Latitude, Lino, Lyris 2, Mora, Motia, Multiscrim, Nelson, Renew, Stackable, Swoop, TriFlex, Twist, and Verus are among the trademarks of Herman Miller, Inc., and its owned subsidiaries.

♾Chemsurf® is a registered trademark of Wilsonart International.

Corian® is a registered trademark of E.I. du Pont de Nemours and Company Corporation.

FLEXNET™ is a trademark of Milliken & Company.

Floor Saver Glide® is a registered trademark of Carpin Manufacturing, Inc.

Geiger® is a registered trademark of Geiger International.

Microsoft® and Natural® Keyboard are registered trademarks of Microsoft Corporation.

Place Textiles® is a registered trademark of Place Textiles.